

## Excellent Integrated System Limited

Stocking Distributor

Click to view price, real time Inventory, Delivery & Lifecycle Information:

[Molex Connector Corporation](#)  
[0512031200](#)

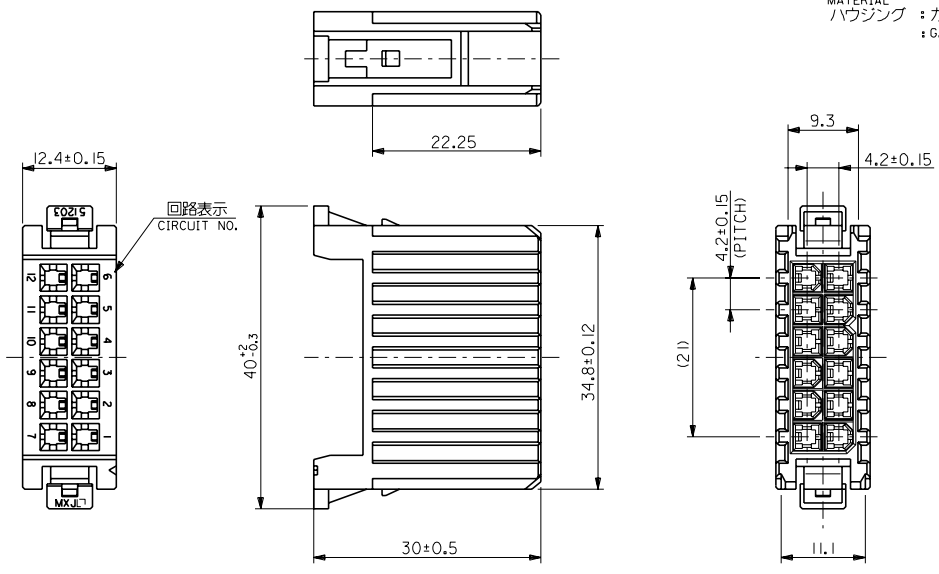
For any questions, you can email us directly:

[sales@integrated-circuit.com](mailto:sales@integrated-circuit.com)

DWG. NO. SD-51203-002

注記  
NOTES.

- 適合ターミナル : 5558\*\*\*\*  
APPLICABLE TERMINAL : 5558\*\*\*\*
- 材質  
MATERIAL  
ハウジング : ガラス入りナイロン66 UL94V-0 色:自然色  
: G.F. NYLON UL94V-0 COLOR : NATURAL



DO NOT SCALE DRAWING	EC NO. DRWN: CHK: APPR:	EC NO. DRWN: CHK: APPR:	EC NO. DRWN: CHK: APPR:
8			

REVISED 98/12/23  
EC NO. JD90898  
DRWN: Y.TETSUKA  
CHK: S.AKIYAMA/YOITTO  
APPR: HIKESUGI  
RELEASED 98/9/9  
EC NO. JD90377  
DRWN: S.AKIYAMA  
CHK: YOITTO  
APPR: HIKESUGI

MATERIAL 材料	注記参照 SEE NOTES.
FINISH 仕上り	—
WIRE RANGE 適用電線範囲	—
INS. RANGE 被覆外径	—

GENERAL TOLERANCES: (UNLESS SPECIFIED) 一般公差	SCALE 2-1	DESIGN UNITS <input checked="" type="checkbox"/> mm <input type="checkbox"/> INCH
10 UNDER 未満	±0.2	DRAWN BY & DATE S. Akiyama 98/9/9
10 OVER 以上	±0.25	CHECKED BY & DATE S. Akiyama
30 OVER 以上	±0.3	APPROVED BY & DATE S. Akiyama
ANGLE 角度	±3°	CAD FILE NAME 51203002.S01

THIRD ANGLE PROJECTION	TITLE: POWER CONN. 12P PIN HOUSING
MOLEX INCORPORATED	
MATERIAL NO. SEE CHART	DRAWING NO. SD-51203-002
SHEET NO. 1 OF 1	SIZE B

51203-1200	51203-1200
MATERIAL.NO	MODEL.NO
DIMENSIONS: <input type="checkbox"/> mm <input type="checkbox"/> INCH <input type="checkbox"/> mm <input checked="" type="checkbox"/> mm ONLY	SHT REV
	REVISE ON CAD ONLY