

## Excellent Integrated System Limited

Stocking Distributor

Click to view price, real time Inventory, Delivery & Lifecycle Information:

[Molex Connector Corporation](#)

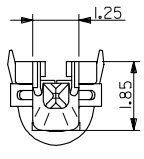
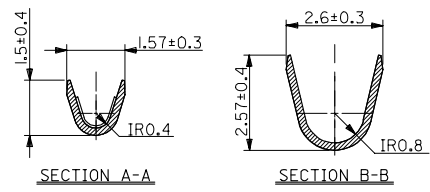
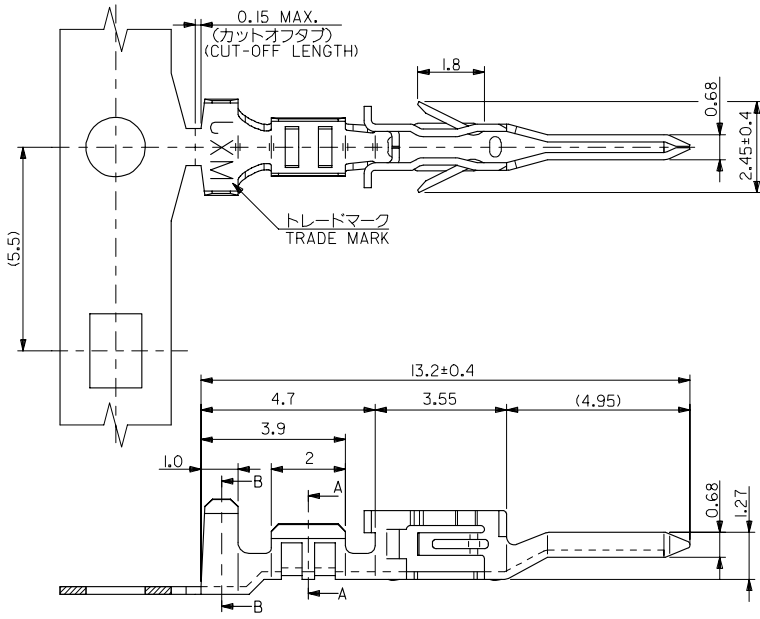
[0561188228](#)

For any questions, you can email us directly:

[sales@integrated-circuit.com](mailto:sales@integrated-circuit.com)

10 9 8 7 6 5 4 3 2 1

F  
E  
D  
C  
B  
A



**注記**  
NOTES

1. 材質  
MATERIAL  
U/P青銅 (板厚: 0.2)  
PHOSPHOR BRONZE (THICKNESS: 0.2)
2. メッキ仕様  
TERMINAL PLATING  
接点部 : 金メッキ 0.25 μm MIN.  
CONTACT AREA : GOLD 0.25 μm MIN.  
圧着部 : 錫メッキ 1.0 μm MIN.  
CRIMP AREA : TIN 1.0 μm MIN.  
下地メッキ : ニッケルメッキ 2 μm MIN.  
UNDER PLATE : NICKEL 2 μm MIN.
3. 適用電線 : UL1007, AWG #24~28  
APPLICABLE WIRE RANGE : UL1007, AWG #24~28
4. 被覆外径 : φ1.6 MAX.  
INSULATION EXTERNAL DIA. : φ1.6 MAX.
5. 適用ハウジング : 51233-\*\*\*\*, 51234-\*\*\*\*  
APPLICABLE HOUSING : 51233-\*\*\*\*, 51234-\*\*\*\*

バラ状 LOOSE	56118-8328	56118-8***
連続状 CHAIN	56118-8228	
端子形状	MATERIAL No.	MODEL No.

RELEASED EC NO: J2005-2545 DRAWN: YSUGIURA CHIKUMIYAMA APPROV: NUKITA	GENERAL TOLERANCES (UNLESS SPECIFIED)		DIMENSION STYLE MM ONLY		DESIGN UNITS METRIC		THIRD ANGLE PROJECTION	
	10 UNDER	± 0.2	DRAWN BY	DATE	TITLE			
	10 OVER 30 UNDER	± 0.25	YSUGIURA	2005/03/02	COMPACT ROBOT CONN. (CRC) CRIMP PIN -LEAD FREE-			
	30 OVER	± 0.3	CHECKED BY	DATE	MOLEX INCORPORATED DOCUMENT NO. SD-56118-004 SHEET NO. 1 OF 1			
	ANGULAR	± 3 °	MTANAKA	2005/03/02				
DRAFT WHERE APPLICABLE MUST REMAIN WITHIN DIMENSIONS		MATERIAL NO.		SEE CHART		THIS DRAWING CONTAINS INFORMATION THAT IS PROPRIETARY TO MOLEX INCORPORATED AND SHOULD NOT BE USED WITHOUT WRITTEN PERMISSION		