

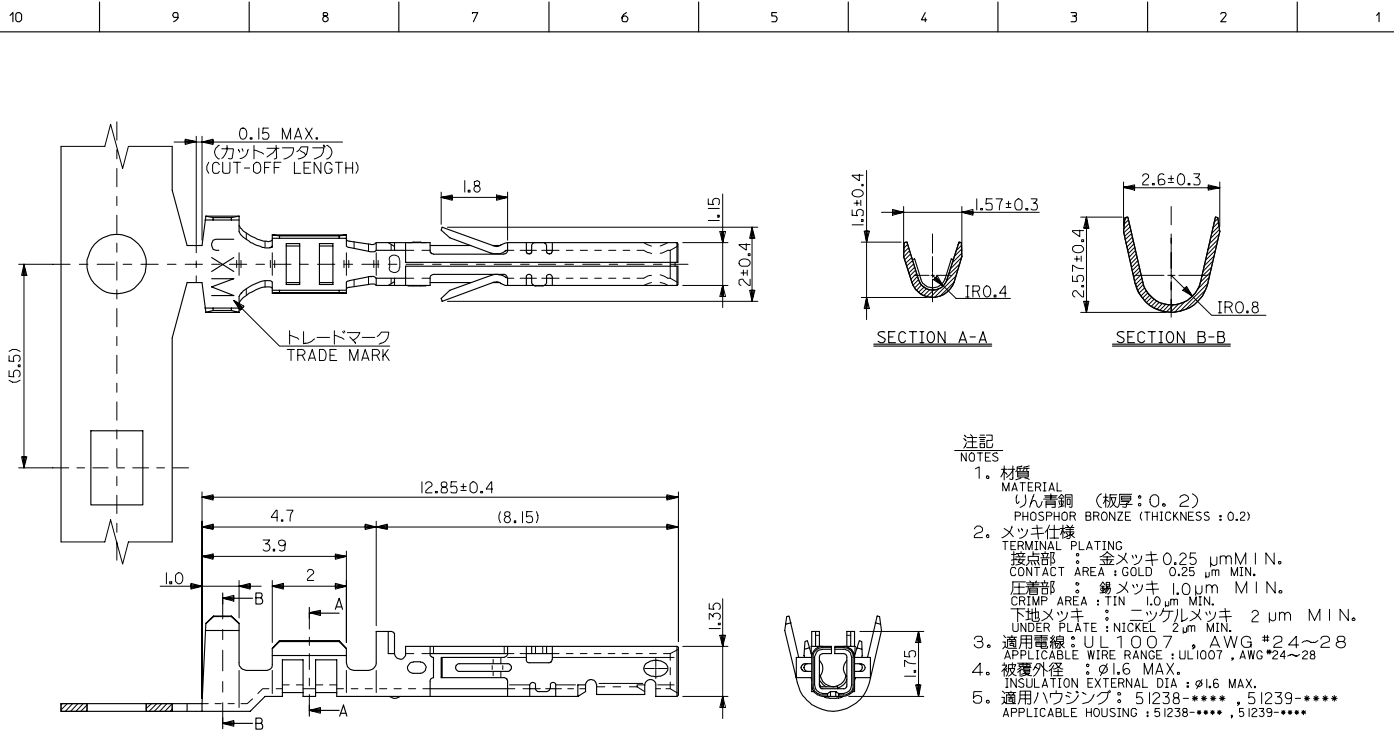
## **Excellent Integrated System Limited**

Stocking Distributor

Click to view price, real time Inventory, Delivery & Lifecycle Information:

[Molex Connector Corporation](#)  
[0561208428](#)

For any questions, you can email us directly:  
[sales@integrated-circuit.com](mailto:sales@integrated-circuit.com)



注記  
NOTES

1. 材質  
MATERIAL  
りん青銅 (板厚: 0.2)  
PHOSPHOR BRONZE (THICKNESS: 0.2)
2. メッキ仕様  
TERMINAL PLATING  
接点部 : 金メッキ 0.25 μm MIN.  
CONTACT AREA : GOLD 0.25 μm MIN.  
圧着部 : 錫メッキ 1.0 μm MIN.  
CRIMP AREA : TIN 1.0 μm MIN.  
下地メッキ : ニッケルメッキ 2 μm MIN.  
UNDER PLATE : NICKEL 2 μm MIN.
3. 適用電線 : UL 1007, AWG #24~28  
APPLICABLE WIRE RANGE : UL1007, AWG #24~28
4. 被覆外径 : φ1.6 MAX.  
INSULATION EXTERNAL DIA : φ1.6 MAX.
5. 適用ハウジング : 51238-\*\*\*\*, 51239-\*\*\*\*  
APPLICABLE HOUSING : 51238-\*\*\*\*, 51239-\*\*\*\*

バラ状 LOOSE	56120-8528	56120-8***
連続状 CHAIN	56120-8428	
端子形状 TERMINAL CONFIGURATION	MATERIAL No.	MODEL NO.

RELEASED EC NO: J2005-2545 DRAWN: YSUGIURA 2005/03/04 CHKD: MTANAKA 2005/03/07 APPR: NUKITA 2005/03/15	GENERAL TOLERANCES (UNLESS SPECIFIED)		DIMENSION STYLE MM ONLY		DESIGN UNITS METRIC		THIRD ANGLE PROJECTION	
	10 UNDER	±0.2	DRAWN BY YSUGIURA	DATE 2005/03/03	TITLE COMPACT ROBOT CONN. (CRC) CRIMP SOCKET -LEAD FREE-  Molex MOLEX INCORPORATED			
	10 OVER 30 UNDER	±0.25	CHECKED BY MTANAKA	DATE 2005/03/03				
	30 OVER	±0.3	APPROVED BY NUKITA	DATE 2005/03/03				
ANGULAR	±3°	MATERIAL NO. SEE CHART		DOCUMENT NO. SD-56120-009		SHEET NO. 1 OF 1		
DRAFT WHERE APPLICABLE MUST REMAIN WITHIN DIMENSIONS		SIZE A3 THIS DRAWING CONTAINS INFORMATION THAT IS PROPRIETARY TO MOLEX INCORPORATED AND SHOULD NOT BE USED WITHOUT WRITTEN PERMISSION						