

Excellent Integrated System Limited

Stocking Distributor

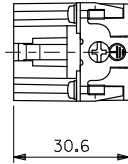
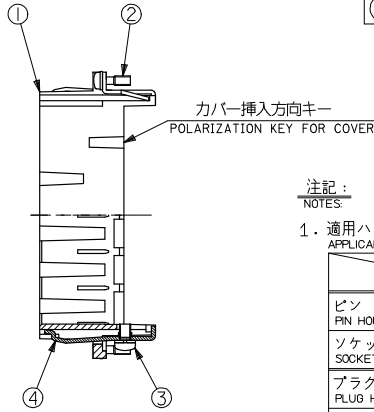
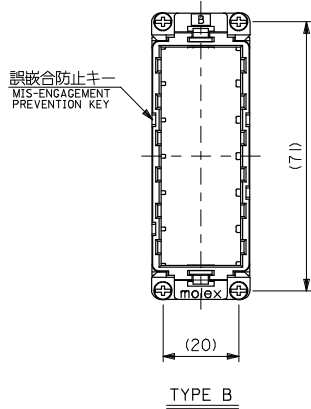
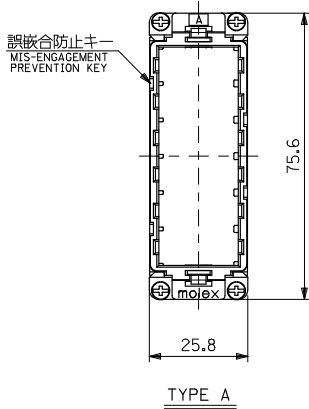
Click to view price, real time Inventory, Delivery & Lifecycle Information:

[Molex Connector Corporation](#)
[0586870010](#)

For any questions, you can email us directly:

sales@integrated-circuit.com

部番 NO.	部品名 PART NAME	数量 QTY.	材質 MATERIAL	記事 ARTICLE
①	プラグシェル PLUG SHELL	1	アルミニウム合金 ALUMINIUM ALLOY	—
②	M2.5×8 ねじ座金付ねじ M2.5X8 SCREW	4	鋼 STEEL	NIメッキ NI PLATING
③	M3×5 ねじ座金付ねじ M3X5 SCREW	2	鋼 STEEL	NIメッキ NI PLATING
④	グラウンドターミナル GROUND TERMINAL	2	黄銅 BRASS	NIメッキ NI PLATING



注記:
NOTES

1. 適用ハウジング及び適用端子
APPLICABLE HOUSING AND TERMINAL

	適用ハウジング APPLICABLE HOUSING	適用端子 APPLICABLE TERMINAL
ピン ハウジング PIN HOUSING	51192-0600	5558GS** (Au PLATING)
ソケット ハウジング SOCKET HOUSING	51193-0600	5556GS** (Au PLATING)
プラグ ハウジング PLUG HOUSING	503193-0600	503195-****
リセプタクル ハウジング RECEPTACLE HOUSING	503194-0600	503196-****

2. 推奨ねじ締め付けトルク
RECOMMENDATION TIGHTENING TORQUE

- 1) M3ねじ : 5-6kgf・cm
M3 SCREW : 5-6kgf・cm
- 2) M2.5ねじ : 4-5kgf・cm
M2.5 SCREW : 4-5kgf・cm

B	58687-0020	58687-***0
A	58687-0010	
TYPE	オーダー番号 ORDER No.	MODEL No.

REVISED EC NO.: J2008-3396 DRAWN BY: DRWNSAKI/YAMA CHKD BY: CHYDSSAT/003 APPRD BY: CHIKAWA 2008/03/26 2008/03/26	GENERAL TOLERANCES (UNLESS SPECIFIED)		DIMENSION STYLE MM ONLY	SCALE 1:1	DESIGN UNITS METRIC	THIRD ANGLE PROJECTION
	10 UNDER	±0.2	DRAWN BY M. HOSONO	DATE '98/04/15	TITLE POWER CONN. 36P PLUG SHELL ASS'Y	
	10 OVER 30 UNDER	±0.25	CHECKED BY YO. ITO	DATE '98/04/15	MOLEX INCORPORATED	
	30 OVER	±0.3	APPROVED BY H. IKESUGI	DATE '98/04/15	MATERIAL NO. SEE CHART	DOCUMENT NO. SD-58687-002
ANGULAR	±3°	DRAFT WHERE APPLICABLE MUST REMAIN WITHIN DIMENSIONS				
THIS DRAWING CONTAINS INFORMATION THAT IS PROPRIETARY TO MOLEX INCORPORATED AND SHOULD NOT BE USED WITHOUT WRITTEN PERMISSION						