

## Excellent Integrated System Limited

Stocking Distributor

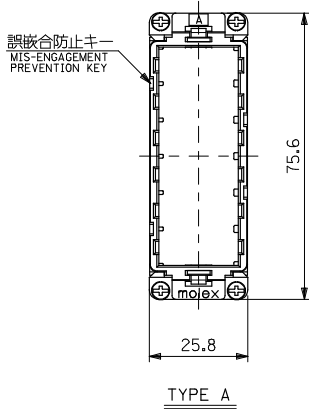
Click to view price, real time Inventory, Delivery & Lifecycle Information:

[Molex Connector Corporation](#)  
[0586870020](#)

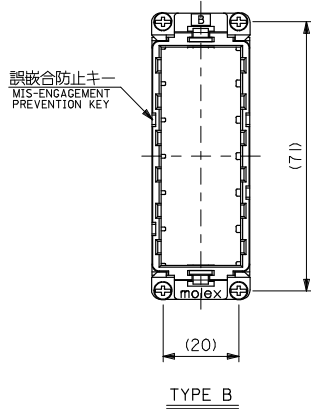
For any questions, you can email us directly:

[sales@integrated-circuit.com](mailto:sales@integrated-circuit.com)

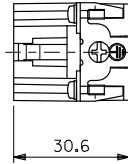
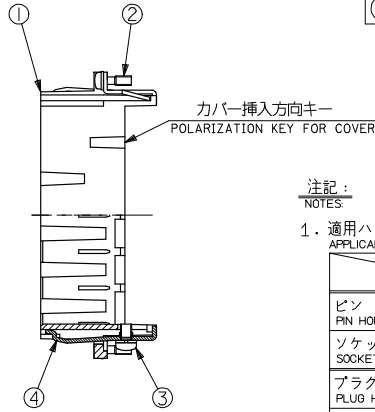
部番 NO.	部品名 PART NAME	数量 QTY.	材質 MATERIAL	記事 ARTICLE
①	プラグシェル PLUG SHELL	1	アルミニウム合金 ALUMINIUM ALLOY	—
②	M2.5×8 ねじ座金付ねじ M2.5X8 SCREW	4	鋼 STEEL	NIメッキ NI PLATING
③	M3×5 ねじ座金付ねじ M3X5 SCREW	2	鋼 STEEL	NIメッキ NI PLATING
④	グラウンドターミナル GROUND TERMINAL	2	黄銅 BRASS	NIメッキ NI PLATING



TYPE A



TYPE B



注記:  
NOTES

1. 適用ハウジング及び適用端子  
APPLICABLE HOUSING AND TERMINAL

	適用ハウジング APPLICABLE HOUSING	適用端子 APPLICABLE TERMINAL
ピン ハウジング PIN HOUSING	51192-0600	5558GS** (Au PLATING)
ソケット ハウジング SOCKET HOUSING	51193-0600	5556GS** (Au PLATING)
プラグ ハウジング PLUG HOUSING	503193-0600	503195-****
リセプタクル ハウジング RECEPTACLE HOUSING	503194-0600	503196-****

2. 推奨ねじ締め付けトルク  
RECOMMENDATION TIGHTENING TORQUE

- 1) M3ねじ : 5-6kgf・cm  
M3 SCREW : 5-6kgf・cm
- 2) M2.5ねじ : 4-5kgf・cm  
M2.5 SCREW : 4-5kgf・cm

B	58687-0020	58687-***0
A	58687-0010	
TYPE	オーダー番号 ORDER No.	MODEL No.

REVISED EC NO.: J2008-3396 DRAWN BY: DRWNSAKI/YAMA CHECKED BY: CHYKSSAT/DOO APPROVED BY: APPR:SI/CHIKAWA 2008/03/26 2008/03/26 2008/03/26	GENERAL TOLERANCES (UNLESS SPECIFIED)		DIMENSION STYLE MM ONLY	SCALE 1:1	DESIGN UNITS METRIC	THIRD ANGLE PROJECTION
	10 UNDER	±0.2	DRAWN BY M. HOSONO	DATE '98/04/15	TITLE POWER CONN. 36P PLUG SHELL ASS'Y	
	10 OVER 30 UNDER	±0.25	CHECKED BY YO. ITO	DATE '98/04/15		
	30 OVER	±0.3	APPROVED BY H. IKESUGI	DATE '98/04/15	MOLEX INCORPORATED	
ANGULAR	±3°	MATERIAL NO.	DOCUMENT NO.	SHEET NO.		
DRAFT WHERE APPLICABLE MUST REMAIN WITHIN DIMENSIONS		SIZE A3	THIS DRAWING CONTAINS INFORMATION THAT IS PROPRIETARY TO MOLEX INCORPORATED AND SHOULD NOT BE USED WITHOUT WRITTEN PERMISSION		SD-58687-002 1 OF 1	