

Excellent Integrated System Limited

Stocking Distributor

Click to view price, real time Inventory, Delivery & Lifecycle Information:

[Molex Connector Corporation](#)
[0588660002](#)

For any questions, you can email us directly:

sales@integrated-circuit.com

DWG. NO. SD-58866-002

F

E

D

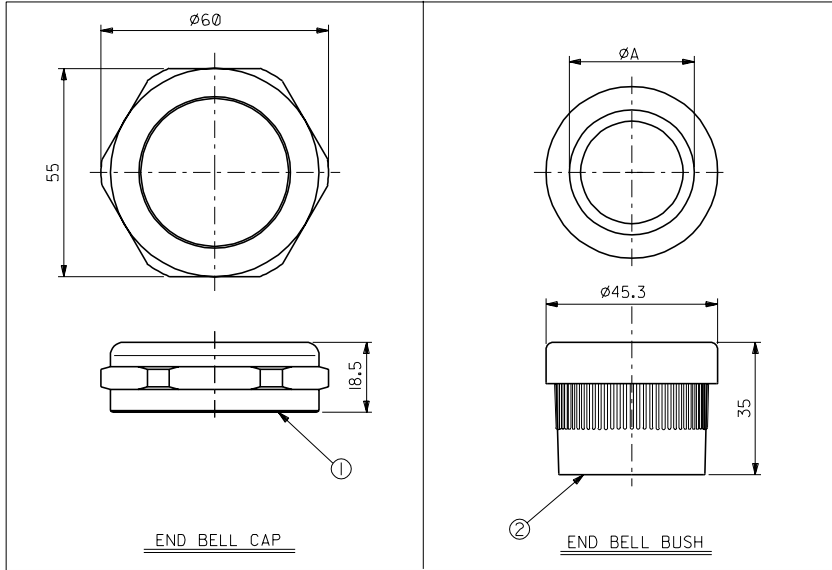
C

B

A

DO NOT SCALE DRAWING

部番 NO.	部品名 PARTS NAME	個数 QUAN.	材質 MATERIAL
①	ケーブル キャップ CABLE CAP	1	黄銅、ニッケルメッキ BRASS, NI PLATING
②	ブッシュ BUSH	1	ポリ塩化ビニル PVC



橙 ORANGE	φ20~φ25	25	58866-0003	58866-****
青 BLUE	φ14~φ18	18	58866-0002	
黄 YELLOW	φ24~φ28	28	58866-0001	
黒 BLACK	φ29~φ33	33	58866-0000	
ブッシュ色 BUSH COLOR	適用電線径 WIRE SIZE	A	MATERIAL NO.	MODEL NO.
			製品番号	

EC NO. DRAWN: CHK: APPR:	REVISED 91/05/14 EC NO. JD2001-1521 DRAWN: S. AKIYAMA CHK: J. MIYAZAWA APPR: H. IKESUGI	REVISED 91/09/22 EC NO. JD2001-0972 DRAWN: S. AKIYAMA CHK: J. MIYAZAWA APPR: H. IKESUGI	REVISED 99/10/06 EC NO. JD2000-0333 DRAWN: S. AKIYAMA CHK: J. MIYAZAWA APPR: H. IKESUGI	RELEASED EC NO. JD90700-98/11/10 DRAWN: Y. TETSUKA CHK: S. AKIYAMA/YO.ITO APPR: H. IKESUGI	DESCRIPTION MATERIAL 材料 SEE CHART	GENERAL TOLERANCES: (UNLESS SPECIFIED) 一般公差	SCALE 1:1 DESIGN UNITS <input checked="" type="checkbox"/> mm <input type="checkbox"/> INCH	DESIGN BY & DATE Y. TETSUKA 98/11/10	THIRD ANGLE PROJECTION <input checked="" type="checkbox"/> mm <input type="checkbox"/> INCH <input type="checkbox"/> mm ONLY	DIMENSIONS: <input type="checkbox"/> mm <input type="checkbox"/> INCH <input checked="" type="checkbox"/> mm ONLY	SHT REV	REVISE ON CAD ONLY
C	B	A	φ	REV.	FINISH 仕上げ —	10 UNDER 未満 ±0.2	DRAWN BY & DATE Y. TETSUKA 98/11/10	TITLE: POWER CONN. END BELL CAP SET (PG36)	<input type="checkbox"/> mm <input type="checkbox"/> INCH <input checked="" type="checkbox"/> mm ONLY			
					WIRE RANGE 適用電線範囲 —	10 OVER 以上 30 UNDER 未満 ±0.25	CHECKED BY & DATE S. Akiyama/9.10	APPROVED BY & DATE 98/11/12	<input type="checkbox"/> mm <input type="checkbox"/> INCH <input checked="" type="checkbox"/> mm ONLY			
					INS. RANGE 被覆外径 —	30 OVER 以上 ±0.3	APPROVED BY & DATE 98/11/12	MOLEX INCORPORATED				
						ANGLE 角度 ±3°	CAD FILE NAME 58866002.S01	MATERIAL NO. SEE CHART				
							THIS DRAWING CONTAINS INFORMATION THAT IS PROPRIETARY TO MOLEX INCORPORATED AND SHOULD NOT BE USED WITHOUT WRITTEN PERMISSION.					
8	7	6	5	4	3	2	1					