



Distributor of On-Shore Technology, Inc.: Excellent Integrated System Limited

Datasheet of OSTTK020580 - TERM BLOCK 5.00MM 2POS

Contact us: [sales@integrated-circuit.com](mailto:sales@integrated-circuit.com) Website: [www.integrated-circuit.com](http://www.integrated-circuit.com)

---

## Excellent Integrated System Limited

Stocking Distributor

Click to view price, real time Inventory, Delivery & Lifecycle Information:

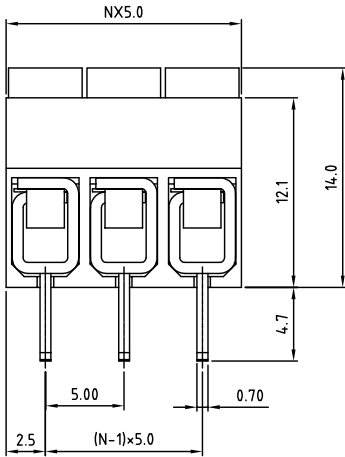
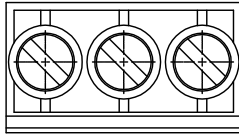
[On-Shore Technology, Inc.](#)

[OSTTK020580](#)

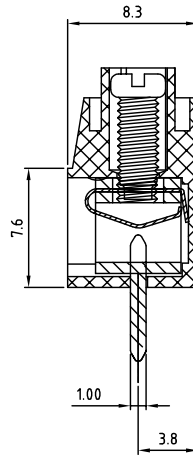
For any questions, you can email us directly:

[sales@integrated-circuit.com](mailto:sales@integrated-circuit.com)

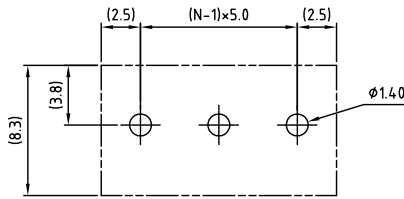
SIGN	DATE	DESCRIPTION	APPROVER
THIS IS CAD DRAWING, DO NOT REVISE MANUALLY!!!			



N=Number of contacts



**P.C.B LAYOUT**



**Material**

- Terminal body
- (metal housing): Brass stamped
- Terminal screw: Steel Zinc plating "-" slot type
- Wire guard: Stainless steel
- Surface of solder tail: Tin plated
- Insulator (housing): Thermoplastic (UL94V-0)

**Electrical UL / cUL**

- Voltage rating: 300VAC/250VAC
- Current rating: 10A/15A
- Wire range:
  - Solid wire(AWG): 12-22/12-20
  - Stranded wire(AWG): 12-22/12-20
- Torque(Lb-In): 3.5
- Screw: M2.5
- Wire strip length: 6-7mm
- Withstanding Voltage: 1.6KV / 1.5KV
- Operating temperature: -30°C to +105°C
- Soldering temperature: 250°C±10°C/5 Sec
- Safety Approval:

RoHS Compliant

**PART NUMBER:**

**OSTTKXX0580**

No. of Poles	COLOR
02 2 Poles	0: Black
03 3 Poles	5: Green
...	6: Blue
24 24 Poles	8: Grey (Standard)



THESE DRAWINGS AND SPECIFICATIONS ARE THE PROPERTY OF ON-SHORE TECHNOLOGY, INC. AND SHALL NOT BE REPRODUCED, COPIED OR USED IN ANY MANNER WITHOUT THE PRIOR WRITTEN CONSENT OF ON-SHORE TECHNOLOGY, INC.

TITLE	OSTTK - 5.0mm series			DWG NO.	OSTTKXX0580.DWG	
PART NO.	OSTTKXX0580			CUST NO.		
APPROVED	CHECKED	DESIGNED	DRAWN	Tolerance		
Shi Jun 2006.10.20	Marvin 2006.10.20	Marvin 2006.10.20	Marvin 2006.10.20	X. ±0.50		
				X.X ±0.30		
				X.XX ±0.10		
				X* ±1°		
				UNIT: mm		
				SCALE: NONE		
				SHEET: 01/01	REV.: D	