

Excellent Integrated System Limited

Stocking Distributor

Click to view price, real time Inventory, Delivery & Lifecycle Information:

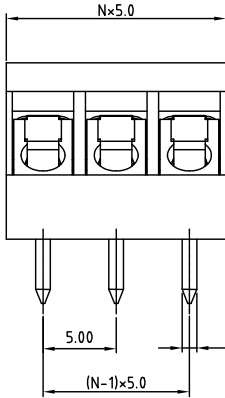
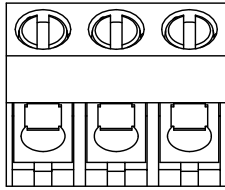
[On-Shore Technology, Inc.](#)
[OSTTQ020100](#)

For any questions, you can email us directly:

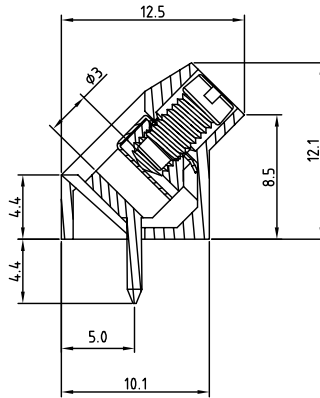
sales@integrated-circuit.com

SIGN	DATE	DESCRIPTION	APPROVER

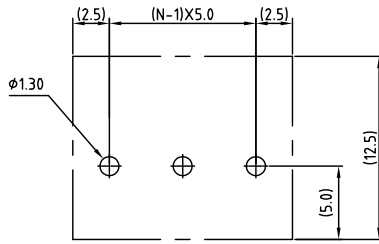
THIS IS CAD DRAWING, DO NOT REVISE MANUALLY!!!



N=Number of poles



P.C.B LAYOUT



THESE DRAWINGS AND SPECIFICATIONS ARE THE PROPERTY OF ON-SHORE TECHNOLOGY, INC. AND SHALL NOT BE REPRODUCED, COPIED OR USED IN ANY MANNER WITHOUT THE PRIOR WRITTEN CONSENT OF ON-SHORE TECHNOLOGY, INC.

Material

- Terminal body
- (metal housing): Brass (CuZn)
- Terminal screw: Steel Zinc plating "-" slot type
- Wire guard: Stainless steel
- Surface of solder tail: Tin plated
- Insulator (housing): Thermoplastic (UL94V-0)

Electrical

- Voltage rating: 300VAC
- Current rating: 15A
- Wire range:
 - Solid wire(AWG): 14-22
 - Stranded wire(AWG): 14-22
- Torque(Lb-In): 3.5
- Screw: M3
- Wire strip length: 6-7mm
- Withstanding Voltage: 1.6KV
- Operating temperature: -30°C to +105°C
- Soldering temperature: 250°C±10°C/5 Sec
- Safety approval:

RoHS Compliant

PART NUMBER:

OSTTQXX0100

No. of Poles	COLOR
02 2 Poles	0: Black (Standard)
03 3 Poles	5: Green
...	6: Blue
24 24 Poles	8: Grey



TITLE		OSTTQ-5.0mm series solid block	
PART NO.	OSTTQXX0100	DWG NO.	OSTTQXX0100.DWG
APPROVED	CHECKED	DESIGNED	DRAWN
Shi Jun 2006.10.19	Shi Jun 2006.10.19	xionghaitao 2006.10.19	xionghaitao 2006.10.19
SHEET: 01/01		REV: E	
UNIT: mm		Tolerance	
SCALE: NONE		X ±0.50	
		X.X ±0.30	
		X.XX ±0.10	
		X* ±1°	