

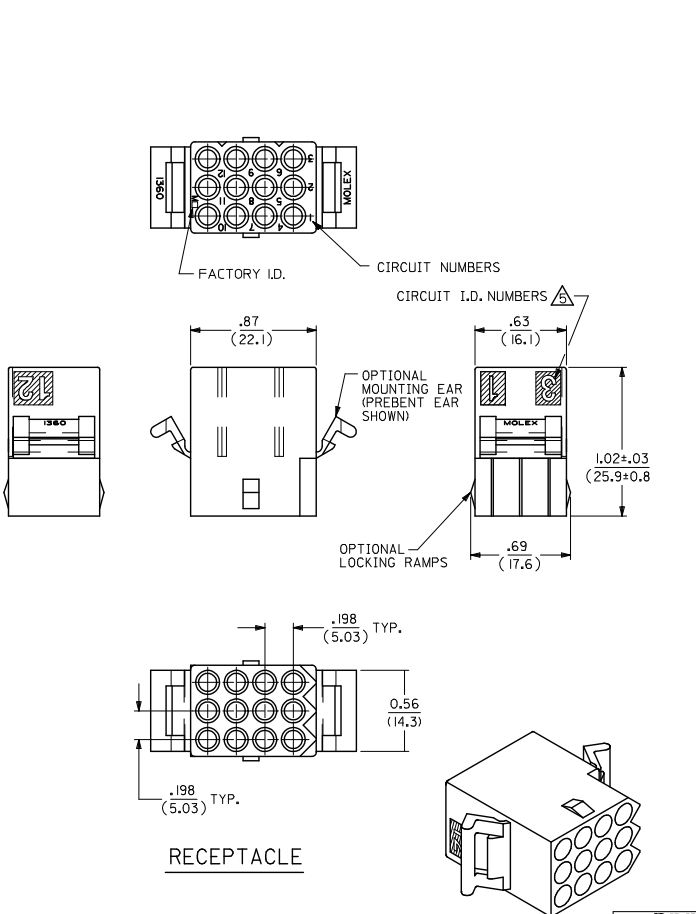
## Excellent Integrated System Limited

Stocking Distributor

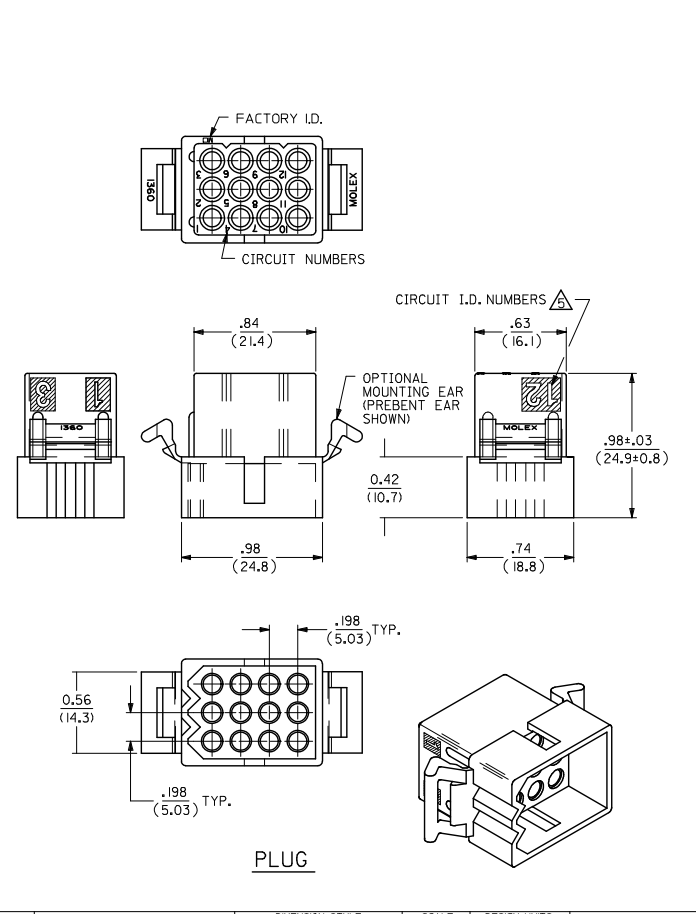
Click to view price, real time Inventory, Delivery & Lifecycle Information:

[Molex Connector Corporation](#)  
[03-09-2122](#)

For any questions, you can email us directly:  
[sales@integrated-circuit.com](mailto:sales@integrated-circuit.com)



RECEPTACLE



PLUG

<b>OBSELETE 1360-R1*</b> DEC NO: UCP2015-1650 DRAWN: JDFUX 2014/11/03 CHECKER: TPIPER 2014/11/03 APPROVER: SMITH 2014/11/13 REV 0	QUALITY SYMBOLS	GENERAL TOLERANCES (UNLESS SPECIFIED)	DIMENSION STYLE	SCALE	DESIGN UNITS	THIRD ANGLE PROJECTION
		mm INCH	IN/MM	2:1	INCH	
	▽=0	4 PLACES ± --- ± ---	DRAWN BY DATE	TITLE		
	▽=0	3 PLACES ± --- ± .010	KBW 3/1/89	.093/(12.36) HOUSINGS PLUG AND RECEPTACLE 12 CKT, .198/(5.03)CTR.		
▽=0	2 PLACES ± 0.25 ± .014	CHECKED BY DATE	<b>molex</b> SD-1360-* SHEET NO. 1 OF 2			
▽=0	1 PLACE ± 0.35 ± ---	RW 3/1/89				
▽=0	0 PLACE ± --- ± ---	APPROVED BY DATE	THIS DRAWING CONTAINS INFORMATION THAT IS PROPRIETARY TO MOLEX INCORPORATED AND SHOULD NOT BE USED WITHOUT WRITTEN PERMISSION			
0	ANGULAR ± 2 °	FSMITH 2014/11/13	MATERIAL NO.	DOCUMENT NO.		
0	DRAFT WHERE APPLICABLE MUST REMAIN WITHIN DIMENSIONS		SEE CHART			

PLUG		
ORDER NO	ENG NO	
03-09-2121	I360-P	
03-09-2122	I360-P1	
03-09-7121	I360-PBK	
03-09-7122	I360-P1BK	OBSOLETE

RECEPTACLE		
ORDER NO	ENG NO	
03-09-1121	I360-R	
03-09-1122	I360-R1	OBSOLETE
03-09-1125	I360-R2	
03-09-1126	I360-R3	
03-09-6121	I360-RBK	
03-09-6122	I360-R1BK	OBSOLETE
03-09-6125	I360-R2BK	
03-09-6126	I360-R3BK	
03-09-6123	I360-R1RD	OBSOLETE
03-09-6124	I360-R1YW	OBSOLETE

LEGEND: PLUG

I360-P\*\*\*

P = PLUG

BLANK = WITHOUT EARS  
I = WITH MOUNTING EARS

COLOR:

BLANK = NATURAL COLOR  
AM = AMBER BK = BLACK BU = BLUE  
BN = BROWN GY = GRAY GN = GREEN  
OR = ORANGE RD = RED YW = YELLOW

LEGEND: RECEPTACLE

I360-R\*\*\*

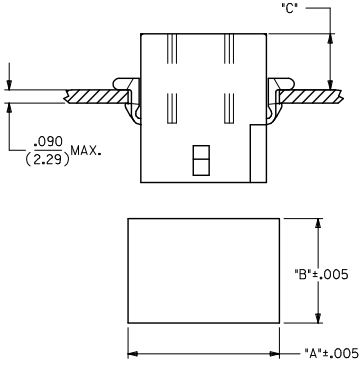
R = RECEPTACLE

OPTION	PREBENT EARS	LOCKING RAMP
BLANK	X	
1		
2	X	X
3		X

X = PRESENT

COLOR:

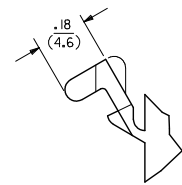
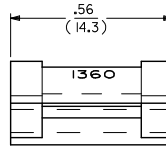
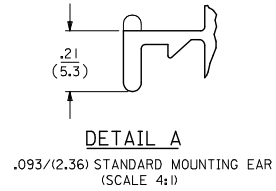
BLANK = NATURAL COLOR  
AM = AMBER BK = BLACK BU = BLUE  
BN = BROWN GY = GRAY GN = GREEN  
OR = ORANGE RD = RED YW = YELLOW



RECOMMENDED PANEL OPENING

HOUSING	DIM. "A"	DIM. "B"	"C" PREBENT EAR	"C" STANDARD EAR
PLUG	1.155/(29.34)	.760/(19.30)	.40/(10.2)	.36/(9.1)
RECEPT.	1.050/(26.67)	.725/(18.42)	.41/(10.4)	.37/(9.4)

- NOTES:
1. MATERIAL: NYLON TYPE 6/6, UL94V-2
  2. FINISH: N/A
  3. PRODUCT SPECIFICATION: PS-02-09, PS-43660-9999
  4. PACKAGING SPECIFICATION: PK-1360-001
- △ CIRCUIT ID. NUMBERS ON SIDE OF HOUSING APPEAR ON PARTS FROM TOOLS BUILT AFTER 10/22/91
- △ WHERE DENOTED IN CHART, TOOLS ARE BUILT WITH PREBENT MOUNTING EARS PER DETAIL B AND SUPERSEDE ALL TOOLS PREVIOUSLY BUILT WITH THE STANDARD EARS.
7. PARTS CONFORM TO CLASS B REQUIREMENTS OF COSMETIC SPECIFICATION PS-45499-002.



DETAIL B

.093/(2.36) PREBENT MOUNTING EAR (SCALE 4:1)

QUALITY SYMBOLS	GENERAL TOLERANCES (UNLESS SPECIFIED)		DIMENSION STYLE		SCALE	DESIGN UNITS	THIRD ANGLE PROJECTION
	mm	INCH	IN/MM	DATE			
▽=0	4 PLACES ± .010	± .004	DRAWN BY	3/1/89	2:1	INCH	.093/(2.36) HOUSINGS PLUG AND RECEPTACLE 12 CKT. .198/(5.03)CTR. <b>molex</b>
▽=0	3 PLACES ± .025	± .010	CHECKED BY	3/1/89			
▽=0	2 PLACES ± 0.35	± .014	APPROVED BY	2014/11/13			
▽=0	1 PLACE ± .010	± .004	DATE		MATERIAL NO.	DOCUMENT NO.	SHEET NO.
▽=0	0 PLACE ± .010	± .004			SEE CHART	SD-1360-*	2 OF 2

ANGULAR ± 2 °

DRAFT WHERE APPLICABLE MUST REMAIN WITHIN DIMENSIONS

THIS DRAWING CONTAINS INFORMATION THAT IS PROPRIETARY TO MOLEX INCORPORATED AND SHOULD NOT BE USED WITHOUT WRITTEN PERMISSION