

Excellent Integrated System Limited

Stocking Distributor

Click to view price, real time Inventory, Delivery & Lifecycle Information:

[On-Shore Technology, Inc.](#)

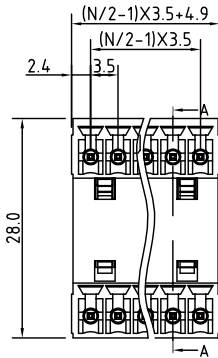
[OSTVL041150](#)

For any questions, you can email us directly:

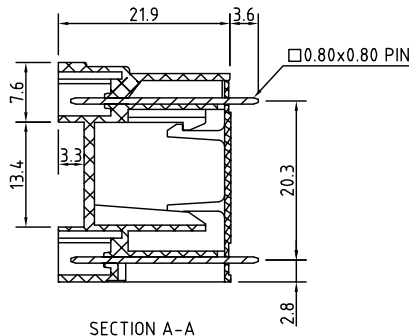
sales@integrated-circuit.com

SIGN	DATE	DESCRIPTION	APPROVER
△	10.23'06	Standard spec is changed.	Marvin

THIS IS CAD DRAWING, DO NOT REVISE MANUALLY!!!



N=Number of poles



Material

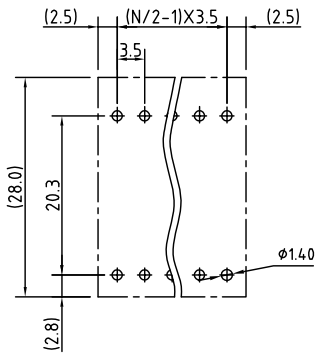
- Terminal body (Contact pin): Brass Whit Tin plated
- Insulator (housing): Thermoplastic (UL94V-0)

Electrical cULus

- Voltage rating: 300VAC
- Current rating: 10A
- Withstanding Voltage: 16KV
- Operating temperature: -30°C to +105°C
- Soldering temperature: 250°C±10°C/5 Sec
- Safety Approval:

RoHS Compliant

P.C.B. LAYOUT



PART NUMBER:

OSTVLXX1150

- | | | |
|----------------|---|---------------------|
| No. of Poles | ↓ | COLOR |
| 04: 2x02 Poles | | 0: Black |
| 06: 2x03 Poles | | 5: Green (Standard) |
| : | | 6: Blue |
| 48 2x24 Poles | | 8: Grey |



THESE DRAWINGS AND SPECIFICATIONS ARE THE PROPERTY OF ON-SHORE TECHNOLOGY, INC. AND SHALL NOT BE REPRODUCED, COPIED OR USED IN ANY MANNER WITHOUT THE PRIOR WRITTEN CONSENT OF ON-SHORE TECHNOLOGY, INC.

TITLE		OSTVL-3.5mm Series closed vertical 2x2p-2x24p	
PART NO.	OSTVLXX1150	DWG NO.	OSTVLXX1150.DWG
APPROVED	CHECKED	DESIGNED	DRAWN
Shi Jun 2006.10.23	Marvin 2006.10.23	Marvin 2006.10.23	Marvin 2006.10.23
SHEET: 01/01		REV.: D	
UNIT: mm		Tolerance	
SCALE: NONE		X ±0.50	
		X.X ±0.30	
		X.XX ±0.10	
		X* ±1°	