

Excellent Integrated System Limited

Stocking Distributor

Click to view price, real time Inventory, Delivery & Lifecycle Information:

[Molex Connector Corporation](#)

[03-09-2048](#)

For any questions, you can email us directly:

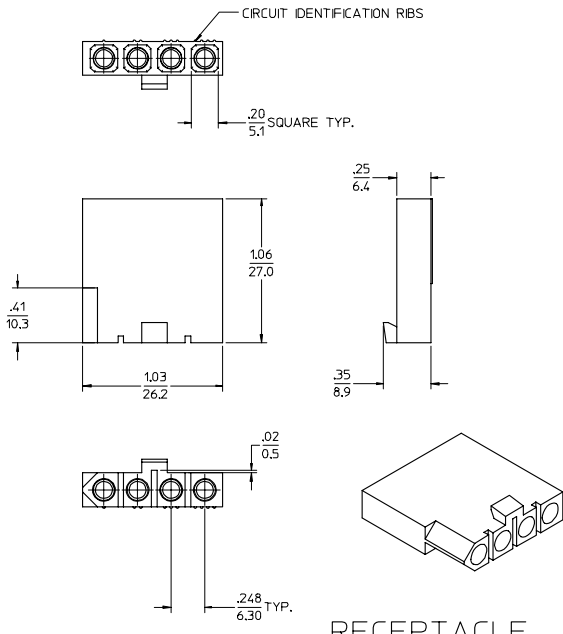
sales@integrated-circuit.com

13 12 11 10 9 8 7 6 5 4 3 2 1

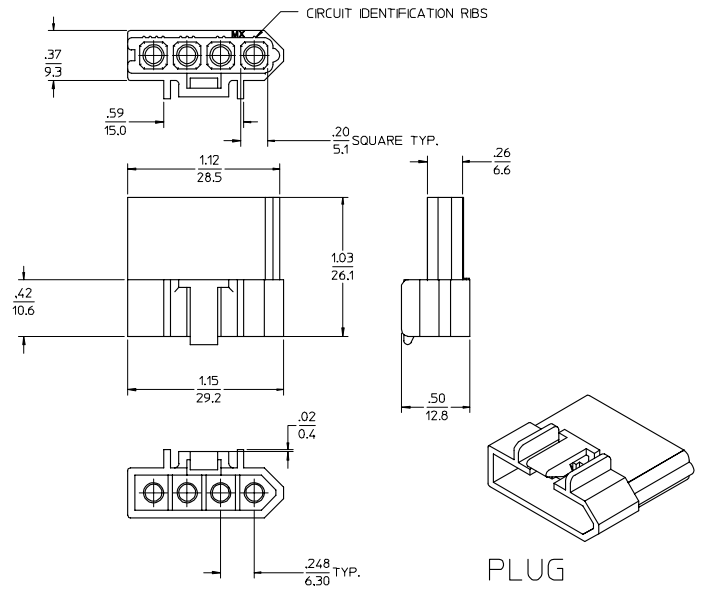
RECEPTACLE		PLUG	
ORDER NO.	ENG. NO.	ORDER NO.	ENG. NO.
03-09-1047	1816-4R	03-09-2048	1816-4P

- NOTES:
1. NYLON, UL94V-2
 2. FINISH: N/A
 3. PRODUCT SPECIFICATION: PS-02-09
 4. PACKAGING SPECIFICATION: N/A

J I H G F E D C B A



RECEPTACLE



PLUG

REDRAWN IN CAD ELC NO: UCP2006-2209 DRAWN BY: CHK/DAL/HAG APPROVED BY: SM/TH 2006/06/12 2006/06/13 2006/06/14	QUALITY SYMBOLS ▽=0 ▽=0	GENERAL TOLERANCES (UNLESS SPECIFIED)	DIMENSION STYLE IN/MM	SCALE 2:1	DESIGN UNITS INCH	THIRD ANGLE PROJECTION															
		<table border="1"> <tr> <th></th> <th>mm</th> <th>INCH</th> </tr> <tr> <td>4 PLACES</td> <td>±.005</td> <td>±.0005</td> </tr> <tr> <td>3 PLACES</td> <td>±.005</td> <td>±.0005</td> </tr> <tr> <td>2 PLACES</td> <td>±0.13</td> <td>±.010</td> </tr> <tr> <td>1 PLACE</td> <td>±0.25</td> <td>±.010</td> </tr> </table>		mm	INCH	4 PLACES	±.005	±.0005	3 PLACES	±.005	±.0005	2 PLACES	±0.13	±.010	1 PLACE	±0.25	±.010	DRAWN BY: BBM DATE: 1968/01/04	CHECKED BY: [] DATE: []	APPROVED BY: [] DATE: []	MATERIAL NO. SEE CHART
	mm	INCH																			
4 PLACES	±.005	±.0005																			
3 PLACES	±.005	±.0005																			
2 PLACES	±0.13	±.010																			
1 PLACE	±0.25	±.010																			
DRAFT WHERE APPLICABLE MUST REMAIN WITHIN DIMENSIONS		MOLEX INCORPORATED .093/(2.36) HOUSINGS PLUG & RECEPTACLE 4 CKT. .248/(6.30) CTRS.																			

12 11 10 9 8 7 6 5 4 3 2 1