

Excellent Integrated System Limited

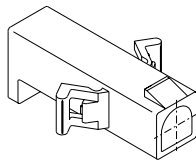
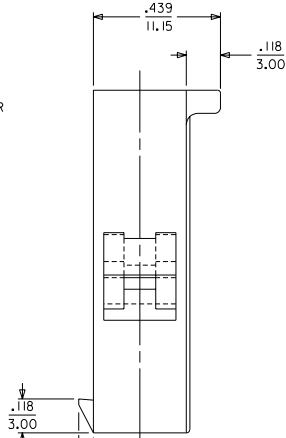
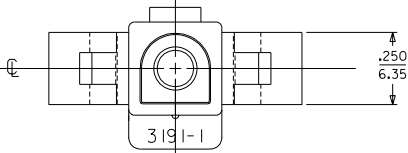
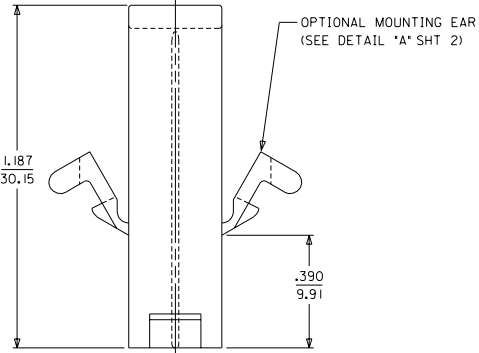
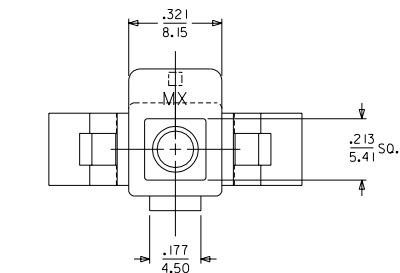
Stocking Distributor

Click to view price, real time Inventory, Delivery & Lifecycle Information:

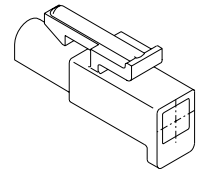
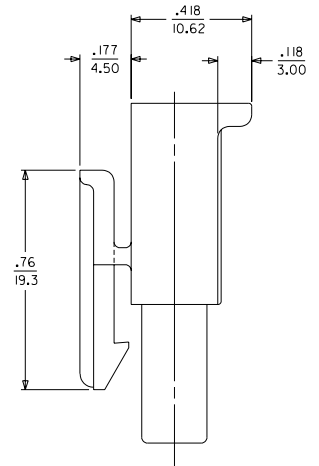
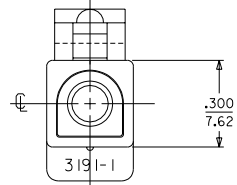
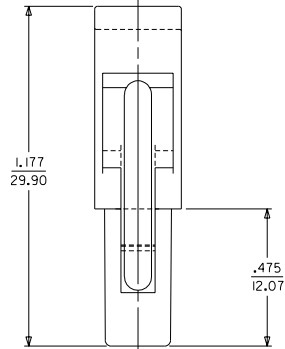
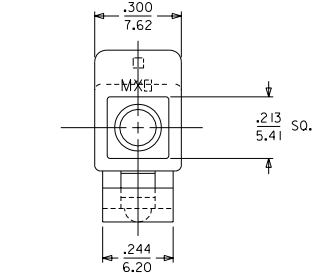
[Molex Connector Corporation](#)
[19-09-2018](#)

For any questions, you can email us directly:

sales@integrated-circuit.com



PLUG



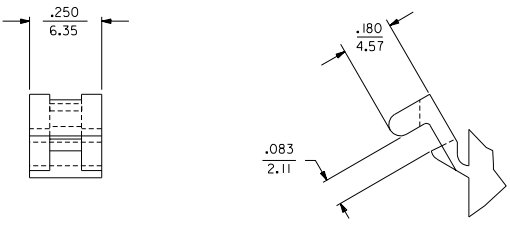
RECEPTACLE

ABSOLUTE 3191-IR1D EC NO: JCP2004-0423 DRWN: ELHAG 09/03/03 CHK: ELHAG 09/03/03 APPR: FSMITH 09/10/03	QUALITY SYMBOLS MAJOR $\nabla = 0$ CRITICAL $\nabla = 0$	GENERAL TOLERANCES: (UNLESS SPECIFIED) 4 PLACES ± 0.005 $\pm .005$ 3 PLACES ± 0.008 $\pm .010$ 2 PLACES ± 0.015 $\pm .014$ 1 PLACE ± 0.030 $\pm .030$	SCALE 4 : 1 DESIGN UNITS <input type="checkbox"/> mm <input checked="" type="checkbox"/> INCH	DRAWN BY & DATE JBS 06/10/03 CHECKED BY & DATE BW 06/13/03 APPROVED BY & DATE BW 06/16/03	DIMENSIONS: <input type="checkbox"/> mm <input checked="" type="checkbox"/> INCH <input type="checkbox"/> mm ONLY THIRD ANGLE PROJECTION	TITLE: .093/(2.36) HOUSING, PLUG AND RECEPTACLE, 1 - CIRCUIT	MOLEX INCORPORATED	MATERIAL NO. SEE CHART	DRAWING NO. SD-3191-1*	SHEET NO. 1 of 2	SIZE C
	REV E	DESCRIPTION	ANGULAR $\pm 1^\circ$ DRAFT WHERE APPLICABLE MUST REMAIN WITHIN DIMENSIONS	THIS DRAWING CONTAINS INFORMATION THAT IS PROPRIETARY TO MOLEX INCORPORATED AND SHOULD NOT BE USED WITHOUT WRITTEN PERMISSION.							

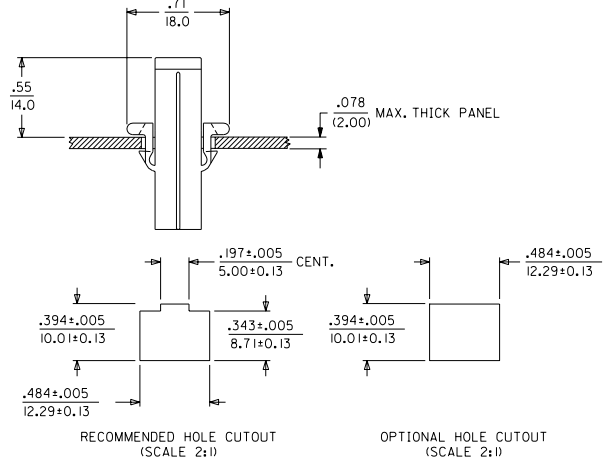
PLUG		RECEPTACLE		
PART NO.	ENG. NO.	PART NO.	ENG. NO.	
19-09-2018	3191-IP	19-09-1019	3191-IR1	
19-09-2019	3191-IP1	19-09-1016	3191-IR1-201	
19-09-2017	3191-IP-201	19-09-6010	3191-IR1RD	OBSOLETE
19-09-2016	3191-IP1-201	19-09-6011	3191-IR1BU	
19-09-2015	3191-IPRD			

LEGEND

3191-|*---*
 CIRCUIT SIZE
 P = PLUG
 R = RECEPTACLE
 EARS: BLANK = WITH PREBENT EARS (PLUG ONLY)
 I = WITHOUT EARS
 COLOR: BLANK = NATURAL COLOR
 AM=AMBER BK=BLACK BU=BLUE
 BN=BROWN GY=GRAY GN=GREEN
 OR=ORANGE RD=RED YW=YELLOW
 MATERIAL: PER NOTE 1.



DETAIL "A"
 PREBENT MOUNTING EAR
 (SCALE 4:1)



- NOTES:
- MATERIAL:
 "BLANK" - NYLON TYPE 6/6, 94V-2. COLOR: NATURAL.
 201 - NYLON TYPE 6/6, 94V-0. COLOR: WHITE.
 - FINISH: NONE.

DIMENSIONS SHOWN (METRIC) INCH		UNLESS OTHERWISE SPECIFIED TOLERANCES ARE AS SHOWN		REVISIONS ONLY ON CAD SYSTEM	
3 PLACE	± .010	---	---		
2 PLACE	± .014	± 0.25	---		
1 PLACE	---	± 0.36	---		
DRAFT WHERE APPLICABLE MUST REMAIN WITHIN DIMENSIONS				MOLEX INCORPORATED SHEET NO. 2 DATE 06/10/03	
DRAWN BY: JBS				PART NO. SD-3191-I*	
APP'D. BY: BW				SEE CHART	
SCALE: --2--				FILE NAME: H3191W2.DWG	
LTR. REVISIONS				THIS DRAWING CONTAINS INFORMATION THAT IS PROPRIETARY TO MOLEX, INC. AND SHOULD NOT BE USED WITHOUT WRITTEN PERMISSION. CP	