

Excellent Integrated System Limited

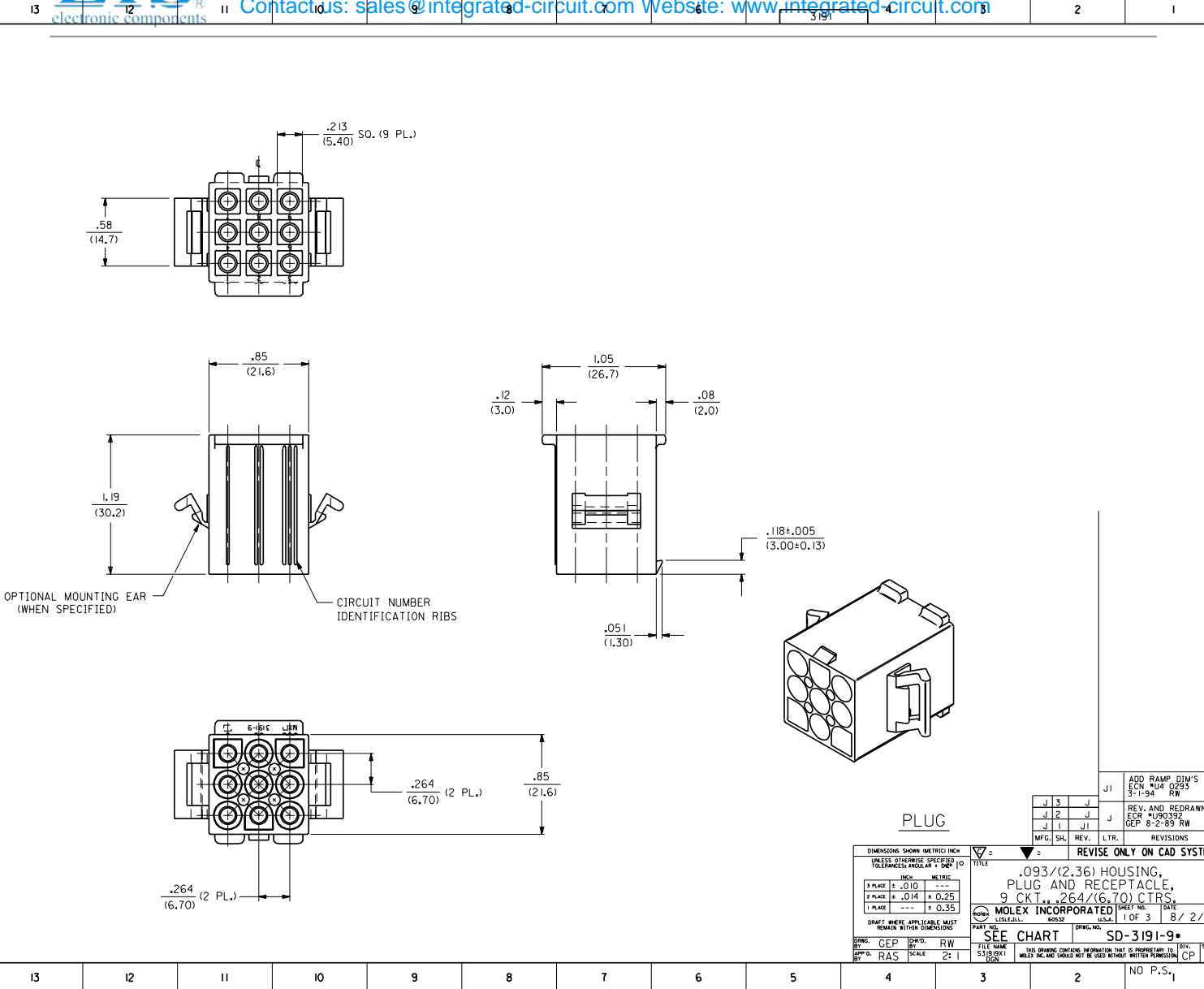
Stocking Distributor

Click to view price, real time Inventory, Delivery & Lifecycle Information:

[Molex Connector Corporation](#)
[0019092098](#)

For any questions, you can email us directly:

sales@integrated-circuit.com



PLUG

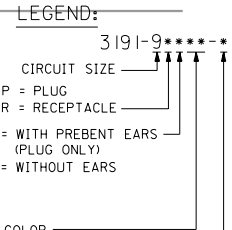
DIMENSIONS SHOWN METRIC INCH		UNLESS OTHERWISE SPECIFIED		TOLERANCES IN MILLIMETERS	
	INCH	METRIC			
3 PLAGE	± .010	---			
2 PLAGE	± .014	± 0.25			
1 PLAGE	---	± 0.35			
DRAFT ANGLES APPLICABLE MUST REMAIN WITHIN DIMENSIONS					
DRG. BY	GEP	CHKD. BY	RW	FILE NAME	531919X1
APP'D. BY	RAS	SCALE	2:1	DATE	02/81

REVISE ONLY ON CAD SYSTEM					
MFG. SH.	REV.	L.T.R.	REVISIONS	SHEET NO.	DATE
J 3	J		ADD RAMP DIM'S	04	02/93
J 2	J		REV. AND REDRAWN		
J 1	J		EOR *490392		
			GEP 8-2-89		

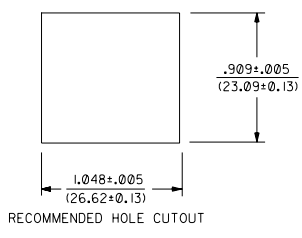
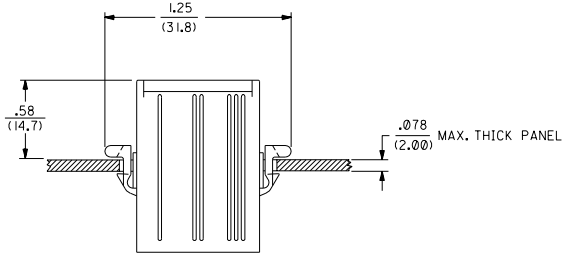
MOLEX INCORPORATED		SHEET NO. 1 OF 3		DATE 8/2/89	
SEE CHART		PART NO. SD-3191-9*		DRG. NO.	
THIS DRAWING CONTAINS INFORMATION THAT IS PROPRIETARY TO MOLEX INC. AND SHOULD NOT BE USED WITHOUT WRITTEN PERMISSION. CP C					

NO P.S.

PLUG		RECEPTACLE	
PART NO.	ENG. NO.	PART NO.	ENG. NO.
19-09-2098	3191-9P	19-09-1099	3191-9R1
19-09-2099	3191-9P1	19-09-1096	3191-9R1-201
19-09-2097	3191-9P-201		
19-09-2096	3191-9P1-201		



COLOR: BLANK = NATURAL COLOR
 AM=AMBER BK=BLACK BU=BLUE
 BN=BROWN CY=GRAY GN=GREEN
 OR=ORANGE RD=RED YW=YELLOW
 COLORS AVAILABLE ONLY IN 94V-2 MATERIAL
 MATERIAL: BLANK=NYLON TYPE 6/6, 94V-2
 201=NYLON TYPE 6/6, 94V-0



NOTES:
 1. THESE HOUSINGS FOR USE WITH MOLEX .093/(2.36) DIAMETER SERIES TERMINALS.

DIMENSIONS SHOWN (METRIC) INCH UNLESS OTHERWISE SPECIFIED () TOLERANCES: ANGULAR ± .005		REVISIONS	DATE	BY	CHKD.	APP'D.	DATE	FILE NAME	THIS DRAWING CONTAINS INFORMATION THAT IS PROPRIETARY TO MOLEX. NO. AND SHOULD NOT BE USED WITHOUT WRITTEN PERMISSION. (CP)
1 PLACE ± .010	---	J	SEE SHT. 1					SD-3191-9*	
2 PLACE ± .014	± 0.25								
3 PLACE ---	± 0.35								
DRAWING DIMENSIONS MUST REMAIN WITHIN DIMENSIONS		LTR.	REVISIONS	LTR.	REVISIONS	LTR.	REVISIONS	LTR.	REVISIONS
DRAWING: GEP BY: RAS		SCALE: ---		DATE: 8/2/89		PART NO.: SD-3191-9*		SHEET NO.: 3 OF 3	