

Excellent Integrated System Limited

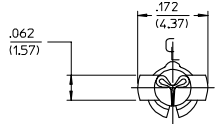
Stocking Distributor

Click to view price, real time Inventory, Delivery & Lifecycle Information:

[Molex Connector Corporation](#)
[0002092133](#)

For any questions, you can email us directly:
sales@integrated-circuit.com

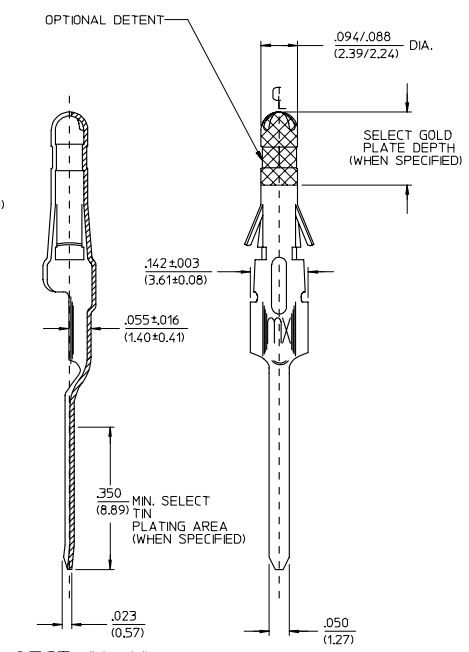
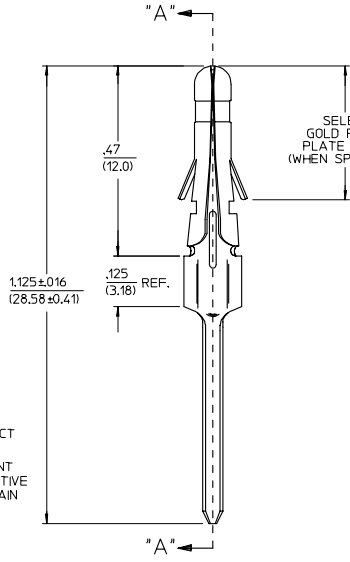
PART NO.	ENG. NO.
02-09-2133	1376-(P909)IL
02-09-2134	1376-A(P909)IL
02-09-6138	1376-(228)IL
02-09-6132	1376-(558)IL
02-09-6134	1376-A(558)IL
50-34-8509	1376-A(P154)IL



LEGEND

1376-*(*)*(*)*(*)*
 OPTIONAL DETENT
 BLANK-WITH DETENT
 A= WITHOUT DETENT
 FORM L=LOOSE
 P=PREPLATE
 BLANK=POSTPLATE
 FINISH CODE

- NOTES:**
- MATERIAL: BRASS
 - FINISHES:
 - * 909 HOT TIN DIP .000100/(0.00254) MIN.
 - * 154 OVERALL TIN .000100/(0.00254) MIN. OVER .000050/(0.00127) MIN. NICKEL OVERALL.
 - 558 SELECT GOLD PLATE .000030/(0.00076) MIN. IN CONTACT AREA OVER .000050/(0.00127) MIN. NICKLE OVERALL WITH .000010/(0.00025) MAX. GOLD FLASH.
 - * 228 SELECT GOLD PLATE .000030/(0.00075) MIN. IN CONTACT AREA. SELECT TIN PLATE .000100/(0.00250) MIN. IN TAIL AREA OVER .000050/(0.00125) NICKLE OVERALL WITH SELECT GOLD FLASH .000010/(0.00025) MAX IN AREA INDICATED.
 - * THE PRIMARY SHIPPING CARTON WILL BE LABELED, "COMPLIANT TO ROHS DIRECTIVE 2002/95/EC AND ELV ANNEX II OF DIRECTIVE 2000/53/EC". AND CARTONS WITHOUT THIS LABEL MAY CONTAIN PRODUCT WITH TIN-LEAD.
 - PRODUCT SPECIFICATION: PS-02-09
 - PACKAGING INFORMATION: NOT AVAILABLE.
 - TERMINALS FOR USE WITH 0.093/(2.36) SERIES HOUSINGS.
 - RECOMMENDED P.C. BOARD HOLE SIZE IS .062±.002/(1.57±0.05) DIA.
 - INSERTION FORCE: 3.5 LBS. MAX. WHEN TERMINAL IS INSERTED INTO AN .093 SERIES HOUSING.



SECT. "A-A"

QUALITY SYMBOLS	GENERAL TOLERANCES (UNLESS SPECIFIED)		SCALE	DESIGN UNITS	THIRD ANGLE PROJECTION	REVISE ON CAD ONLY
	mm	INCH	0.25	INCH	THIRD ANGLE PROJECTION	REVISE ON CAD ONLY
▽-0	4 PLACES ±.005	±.005	0.1	IN/MM	P.C. TAIL TERMINAL, MALE, .093/(2.36) DIA.	REVISE ON CAD ONLY
	3 PLACES ±.010	±.010	0.1	IN/MM		
	2 PLACES ±0.25	±.014	0.1	IN/MM	MOLEX INCORPORATED	REVISE ON CAD ONLY
	1 PLACE ±0.36	±.014	0.1	IN/MM		
∇-0	ANGULAR ± °		0.1	IN/MM	MOLEX INCORPORATED	REVISE ON CAD ONLY
	ANGULAR ± °		0.1	IN/MM		
DRAFT WHERE APPLICABLE MUST REMAIN WITHIN DIMENSIONS			APPROVED BY	DATE	MATERIAL NO.	DOCUMENT NO.
			GW	1991/02/19	SEE CHART	SD-1376-*
			THIS DRAWING CONTAINS INFORMATION THAT IS PROPRIETARY TO MOLEX INCORPORATED AND SHOULD NOT BE USED WITHOUT WRITTEN PERMISSION			