

Excellent Integrated System Limited

Stocking Distributor

Click to view price, real time Inventory, Delivery & Lifecycle Information:

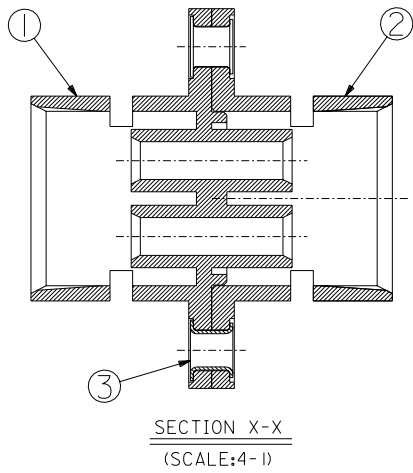
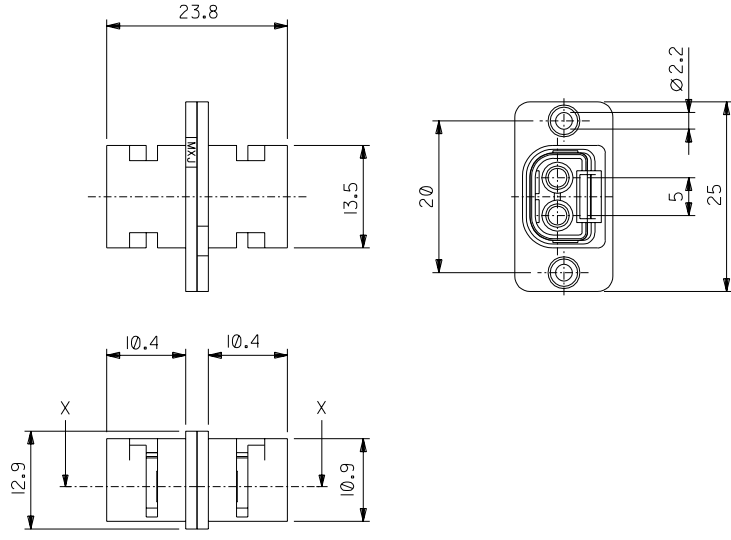
[Molex Connector Corporation](#)
[5012660000](#)

For any questions, you can email us directly:

sales@integrated-circuit.com

DWG. NO. SD-501266-001

NO.	部品名称 PART TITLE	材質 MATERIAL	数量 QTY
①	アダプタ パートA ADAPTER PART-A	ポリエステル (ガラス) 入り POLYESTER UL94V-0 (GLEXY)	1
②	アダプタ パートB ADAPTER PART-B	ポリエステル (ガラス) 入り POLYESTER UL94V-0 (GLEXY)	1
③	ハトメ HATOME	黄銅 BRASS	2



注記
NOTES
1. 嵌合プラグ : 501270-0000
MATING PLUG : 501270-0000

501266-0000
MATERIAL NO.
MODEL NO.: 501266-000*

DO NOT SCALE DRAWING	E84NO. DRAWN: CHK: APPR:	E83NO. DRAWN: CHK: APPR:	E82NO. DRAWN: CHK: APPR:	E81NO. DRAWN: CHK: APPR:	RELEASED: '04/05/28 E80NO. J2004-4481 DRAWN: TE.NAGASE CHK: A.SHIMOTSU APPR: A.SHIMOTSU	MATERIAL 材料 SEE NOTES	GENERAL TOLERANCES: (UNLESS SPECIFIED) 一般公差	SCALE 2-1	DESIGN UNITS <input checked="" type="checkbox"/> mm <input type="checkbox"/> INCH	<input checked="" type="checkbox"/> FIRST ANGLE <input type="checkbox"/> THIRD ANGLE PROJECTION	DIMENSIONS: <input type="checkbox"/> mm <input type="checkbox"/> INCH <input checked="" type="checkbox"/> mm ONLY	SHT REV
							FINISH 仕上り	DRAWN BY & DATE TE.NAGASE '04/05/28	CHECKED BY & DATE A.SHIMOTSU '04/05/28	APPROVED BY & DATE A.SHIMOTSU '04/05/28	TITLE: NEW SMI CONN. ADAPTER ASS'Y	MOLEX INCORPORATED
	8	7	6	5	4	3	2	*THIS DRAWING CONTAINS INFORMATION THAT IS PROPRIETARY TO MOLEX INCORPORATED AND SHOULD NOT BE USED WITHOUT WRITTEN PERMISSION.				EN-02J(097)MXJ-54