

Excellent Integrated System Limited

Stocking Distributor

Click to view price, real time Inventory, Delivery & Lifecycle Information:

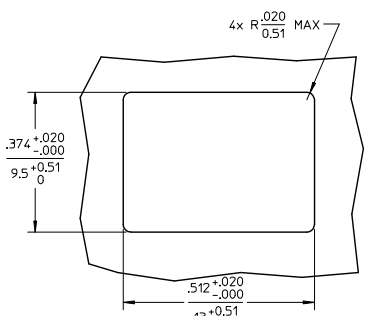
[Molex Connector Corporation](#)
[1061152100](#)

For any questions, you can email us directly:

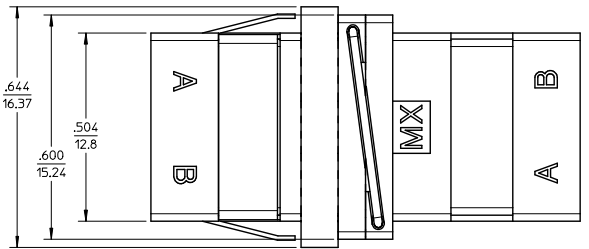
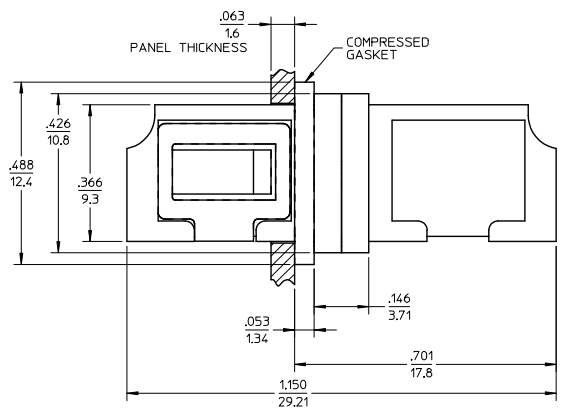
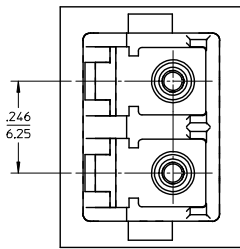
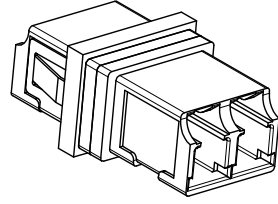
sales@integrated-circuit.com

10 9 8 7 6 5 4 3 2 1

ADAPTER P/N	SPLIT SLEEVE MATERIAL
106115-2100	Zr
106115-2106	Ph. Bronze



RECOMMENDED PANEL CUTOUT
PANEL THICKNESS - 1.6mm/.063"



- NOTES:
1. ALL DIMENSIONS ARE FOR REFERENCE ONLY.
 2. CONDUCTIVE FABRIC OVER FOAM GASKET IS SUPPLIED WITH PART.
 3. PART IS DIECAST.
 4. DUST CAPS NOT SHOWN.
 5. PACKAGING: 25 ADAPTERS PER TRAY AND 4 TRAYS PER BOX. PACKING TRAY AND SHIPPING CONTAINER ARE LABELED WITH MX P/N AND REVISION.

ENTER DESCRIPTION E.C. NO: ME2016-0021 DRAWN: BEDIYAK 2015/07/14 CHKD: LGMIN 2015/07/15 APPR: LGMIN	QUALITY SYMBOLS $\nabla=0$ $\nabla=0$ $\nabla=0$	GENERAL TOLERANCES (UNLESS SPECIFIED)		DIMENSION STYLE IN/MM		SCALE 4:1	DESIGN UNITS INCH	THIRD ANGLE PROJECTION
		4 PLACES ± --- ± --- 3 PLACES ± --- ± --- 2 PLACES ± --- ± --- 1 PLACE ± --- ± --- 0 PLACE ± ±	mm INCH ± --- ± --- ± --- ± --- ± --- ± --- ± --- ± --- ± ±	DRAWN BY PGIBLIN	DATE 2005/12/08	TITLE LC-D EMI ADAPTER, (SNAP MOUNT)		
MATERIAL NO. SEE TABLE	DRAFT WHERE APPLICABLE MUST REMAIN WITHIN DIMENSIONS		APPROVED BY DATE		DOCUMENT NO. SD-106115-210X		THIS DRAWING CONTAINS INFORMATION THAT IS PROPRIETARY TO MOLEX INCORPORATED AND SHOULD NOT BE USED WITHOUT WRITTEN PERMISSION	

10 9 8 7 6 5 4 3 2 1