

Excellent Integrated System Limited

Stocking Distributor

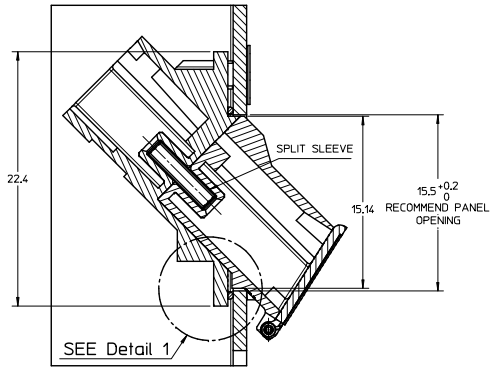
Click to view price, real time Inventory, Delivery & Lifecycle Information:

[Molex Connector Corporation](#)
[1061153206](#)

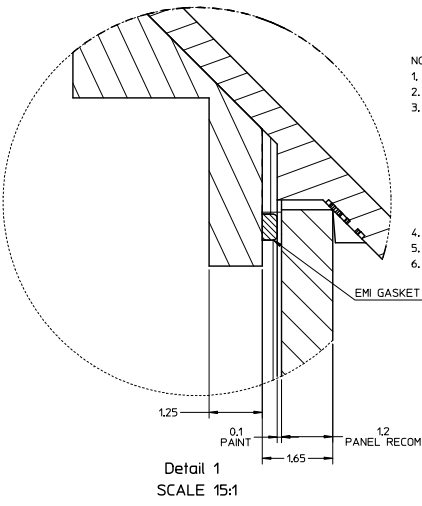
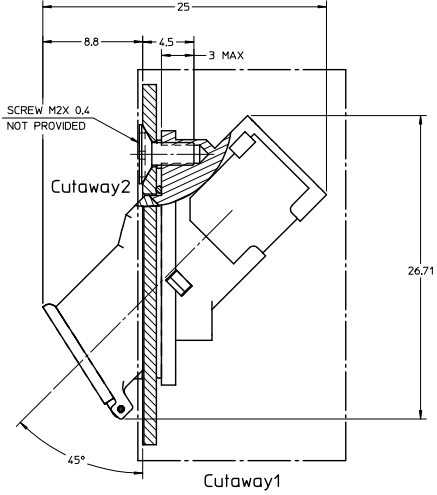
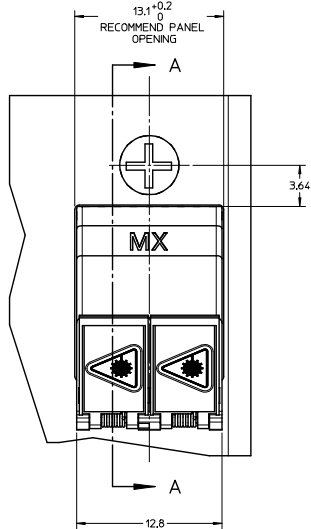
For any questions, you can email us directly:

sales@integrated-circuit.com

ADAPTER P/N	PLASTIC RECEPTACLE COLOR	SPLIT SLEEVE MATERIAL	SHUTTER DOORS MATERIAL
106115-3200	BLUE	Zr	METAL
106115-3201	GREEN		
106115-3206	BLUE	Ph, Bronze	
106115-3205	BLUE	Zr	PLASTIC, COLOR - BLUE

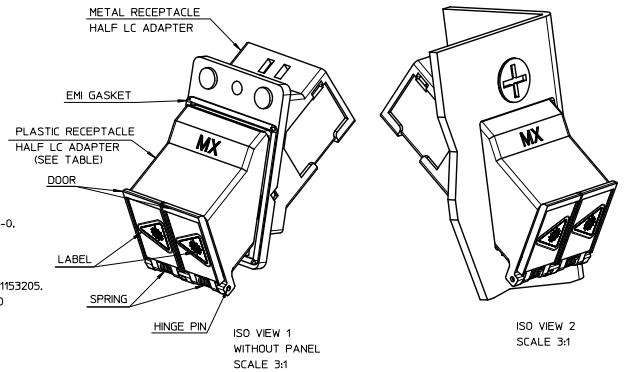


SECTION A-A



Detail 1
SCALE 15:1

- NOTES:
1. ALL DIMENSIONS ARE FOR REFERENCE ONLY.
 2. PARTS SHOWN ASSEMBLED FOR CUSTOMER REFERENCE ONLY.
 3. MATERIAL AND PLATING:
 - A. METAL RECEPTACLE HALF LC ADAPTER - ZINC DIE CAST PLATING - NICKEL.
 - B. PLASTIC RECEPTACLE HALF LC ADAPTER - POLYETHER IMIDE (PEI)UL94 V-0.
 - C. GASKET - SILICONE CONDUCTIVE ELASTOMER SNN 45.
 - D. SPLIT SLEEVE - ZIRCONIA.
 - E. LABEL - POLYESTER(UL 969)
 - F. ALL OTHER PARTS-METAL, EXCEPT PLASTIC SHUTTER DOORS FOR P/N 1061153205.
 4. LC DUPLEX WASH CAP (DUST CAP) NOT SHOWN - TEO ELASTOMER UL94 V-0
 5. PACKAGING: 25 ADAPTERS PER TRAY AND 4 TRAYS PER BOX.
 6. PACKING TRAY AND SHIPPING CONTAINER ARE LABELED WITH PRODUCT REVISION.



ENTER DESCRIPTION REC. NO: MF2015-0456 DRAWN: GOMIN 2015/01/30 CHKD: GOMIN 2015/02/03 APPR: GOMIN B4 REV	QUALITY SYMBOLS ∇=0 ∇=0 ∇=0	GENERAL TOLERANCES (UNLESS SPECIFIED)		DIMENSION STYLE MM ONLY		SCALE 4:1	DESIGN UNITS METRIC	THIRD ANGLE PROJECTION			
		4 PLACES ± --- ± ---	3 PLACES ± --- ± ---	2 PLACES ± --- ± ---	1 PLACE ± --- ± ---	0 PLACE ± --- ± ---	DRAWN BY RPACIFIC1	DATE 2006/01/31	TITLE LC ADAPTER (EMI) 45 DEG SCREW MOUNT		
		ANGULAR ±1/2°					APPROVED BY WCHEN	DATE 2010/08/30	molex		
		DRAFT WHERE APPLICABLE MUST REMAIN WITHIN DIMENSIONS		SEE TABLE		MATERIAL NO. SD-106115-3200	DOCUMENT NO.		SHEET NO. 1 OF 1		