

## Excellent Integrated System Limited

Stocking Distributor

Click to view price, real time Inventory, Delivery & Lifecycle Information:

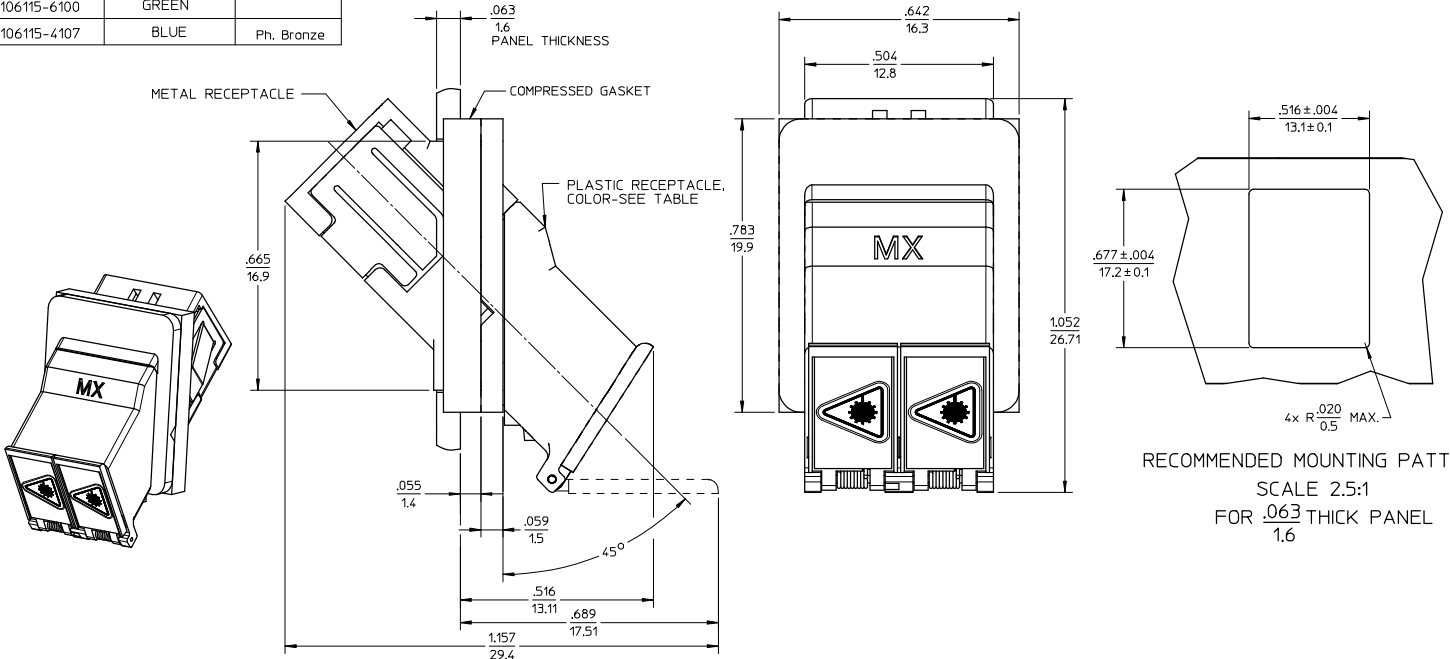
[Molex Connector Corporation](#)  
[1061156100](#)

For any questions, you can email us directly:

[sales@integrated-circuit.com](mailto:sales@integrated-circuit.com)

10 9 8 7 6 5 4 3 2 106115

ADAPTER P/N	PLASTIC RECEPTACLE COLOR	SPLIT SLEEVE MATERIAL
106115-4100	BLUE	Zr
106115-6100	GREEN	
106115-4107	BLUE	Ph. Bronze



RECOMMENDED MOUNTING PATTERN  
SCALE 2.5:1  
FOR .063 THICK PANEL  
1.6

- NOTES:
- DIMENSIONS SHOWN ARE FOR REFERENCE ONLY.
  - CONDUCTIVE FABRIC OVER FOAM GASKET (SHOWN COMPRESSED) IS SUPPLIED WITH THE PART.
  - LC DUPLEX WASH CAP NOT SHOWN.
  - ADAPTERS TO BE PACKAGED IN TRAY.

ENTER DESCRIPTION ELC NO: ME2008-0344 DRAWN/REVZNER 2008/02/22 CHKD: 2008/02/22 APPR: GJM/JN 2008/02/22 REV A1	QUALITY SYMBOLS ▽=0 ▽=0	GENERAL TOLERANCES (UNLESS SPECIFIED) <table border="1"> <thead> <tr> <th></th> <th>mm</th> <th>INCH</th> </tr> </thead> <tbody> <tr> <td>4 PLACES</td> <td>± .---</td> <td>± .---</td> </tr> <tr> <td>3 PLACES</td> <td>± .---</td> <td>± .---</td> </tr> <tr> <td>2 PLACES</td> <td>± .---</td> <td>± .---</td> </tr> <tr> <td>1 PLACE</td> <td>± .---</td> <td>± .---</td> </tr> </tbody> </table>		mm	INCH	4 PLACES	± .---	± .---	3 PLACES	± .---	± .---	2 PLACES	± .---	± .---	1 PLACE	± .---	± .---	DIMENSION STYLE IN/MM	SCALE 4:1	DESIGN UNITS INCH	THIRD ANGLE PROJECTION
		mm	INCH																		
	4 PLACES	± .---	± .---																		
	3 PLACES	± .---	± .---																		
2 PLACES	± .---	± .---																			
1 PLACE	± .---	± .---																			
		DRAWN BY PGIBLIN	DATE 2005/12/09	TITLE LC-D EMI ADAPTER, 45 DEGREE (SNAP MOUNT)																	
		CHECKED BY DATE	APPROVED BY DATE	MOLEX INCORPORATED																	
		MATERIAL NO. SEE TABLE	DOCUMENT NO. SD-106115-Y10Y	SHEET NO. 1 OF 1																	

DRAFT WHERE APPLICABLE MUST REMAIN WITHIN DIMENSIONS

SIZE B THIS DRAWING CONTAINS INFORMATION THAT IS PROPRIETARY TO MOLEX INCORPORATED AND SHOULD NOT BE USED WITHOUT WRITTEN PERMISSION

1b\_frame\_B\_P\_AM.T Rev. D 2004/06/28 9 8 7 6 5 4 3 2 1