

Excellent Integrated System Limited

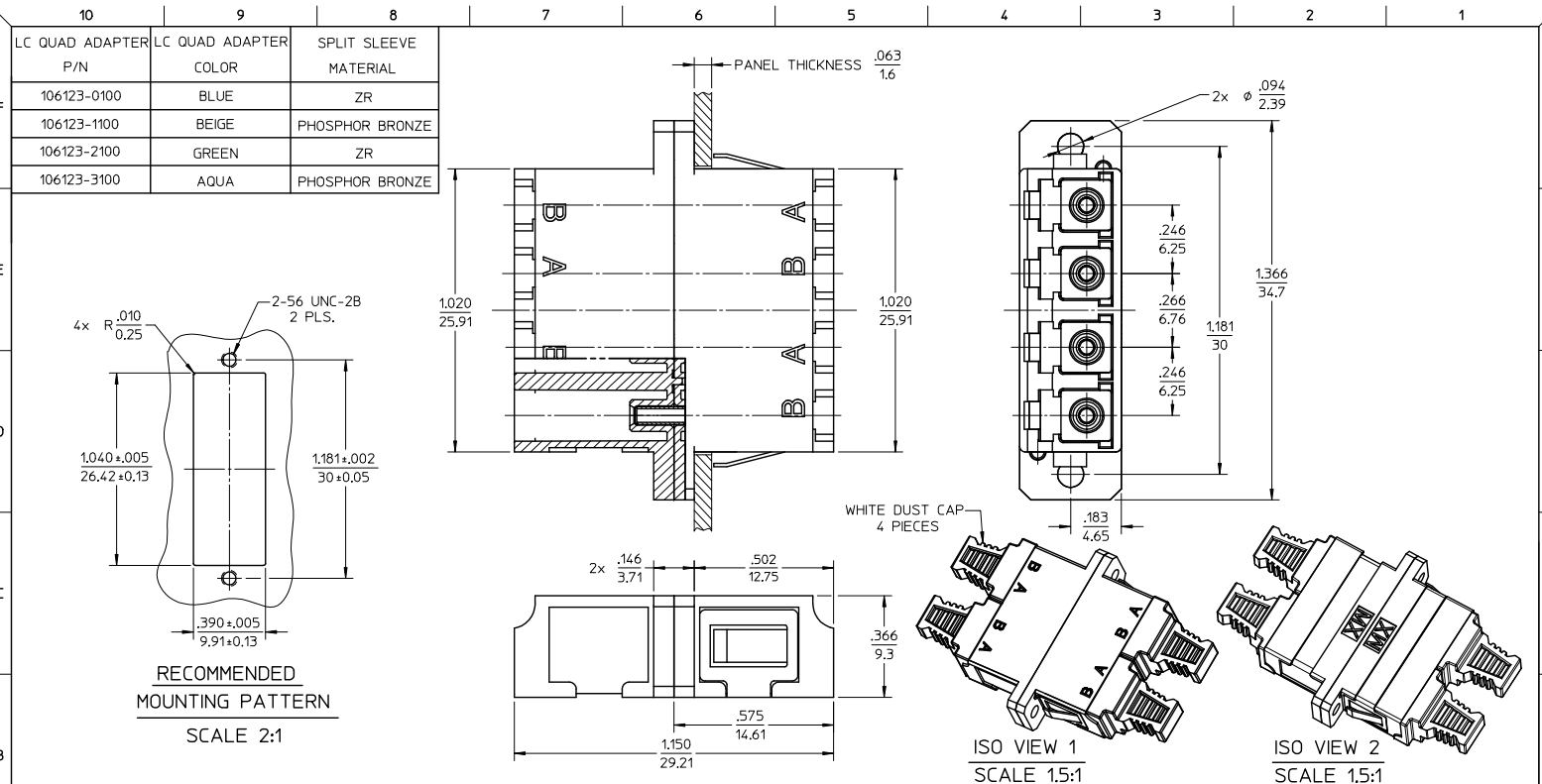
Stocking Distributor

Click to view price, real time Inventory, Delivery & Lifecycle Information:

[Molex Connector Corporation](#)
[1061231100](#)

For any questions, you can email us directly:

sales@integrated-circuit.com



- NOTES:
- ALL DIMENSIONS ARE FOR REFERENCE.
 - DUST CAPS NOT SHOWN ON FRONT, BOTTOM AND RIGHT VIEW.
 - LC QUAD ADAPTER HAS SC DUPLEX ADAPTER FOOTPRINT.

ENTER DESCRIPTION LC NO: ME2013-0549 DRAWN/REVISED: 2013/03/01 CHKD: CHM/KR APPR: GJM/IN	QUALITY SYMBOLS ▽=0 ▽=0 ▽=0	GENERAL TOLERANCES (UNLESS SPECIFIED)		DIMENSION STYLE		SCALE	DESIGN UNITS	THIRD ANGLE PROJECTION
		mm	INCH	IN/MM		3:1	INCH	☉ □
A1	REV	4 PLACES	±	---	---	DRAWN BY	DATE	TITLE
		3 PLACES	±	---	---	PGIBLIN	2005/11/21	LC QUAD ADAPTER (SCREW AND SNAP MOUNT)
		2 PLACES	±	---	---	CHECKED BY	DATE	
		1 PLACE	±	---	---	APPROVED BY	DATE	
		0 PLACE	±	---	---	MATERIAL NO.	DOCUMENT NO.	SHEET NO.
		ANGULAR ±---°		SEE TABLE		SD-106123-X100		1 OF 1
		DRAFT WHERE APPLICABLE MUST REMAIN WITHIN DIMENSIONS						
		SIZE B THIS DRAWING CONTAINS INFORMATION THAT IS PROPRIETARY TO MOLEX INCORPORATED AND SHOULD NOT BE USED WITHOUT WRITTEN PERMISSION						