

Excellent Integrated System Limited

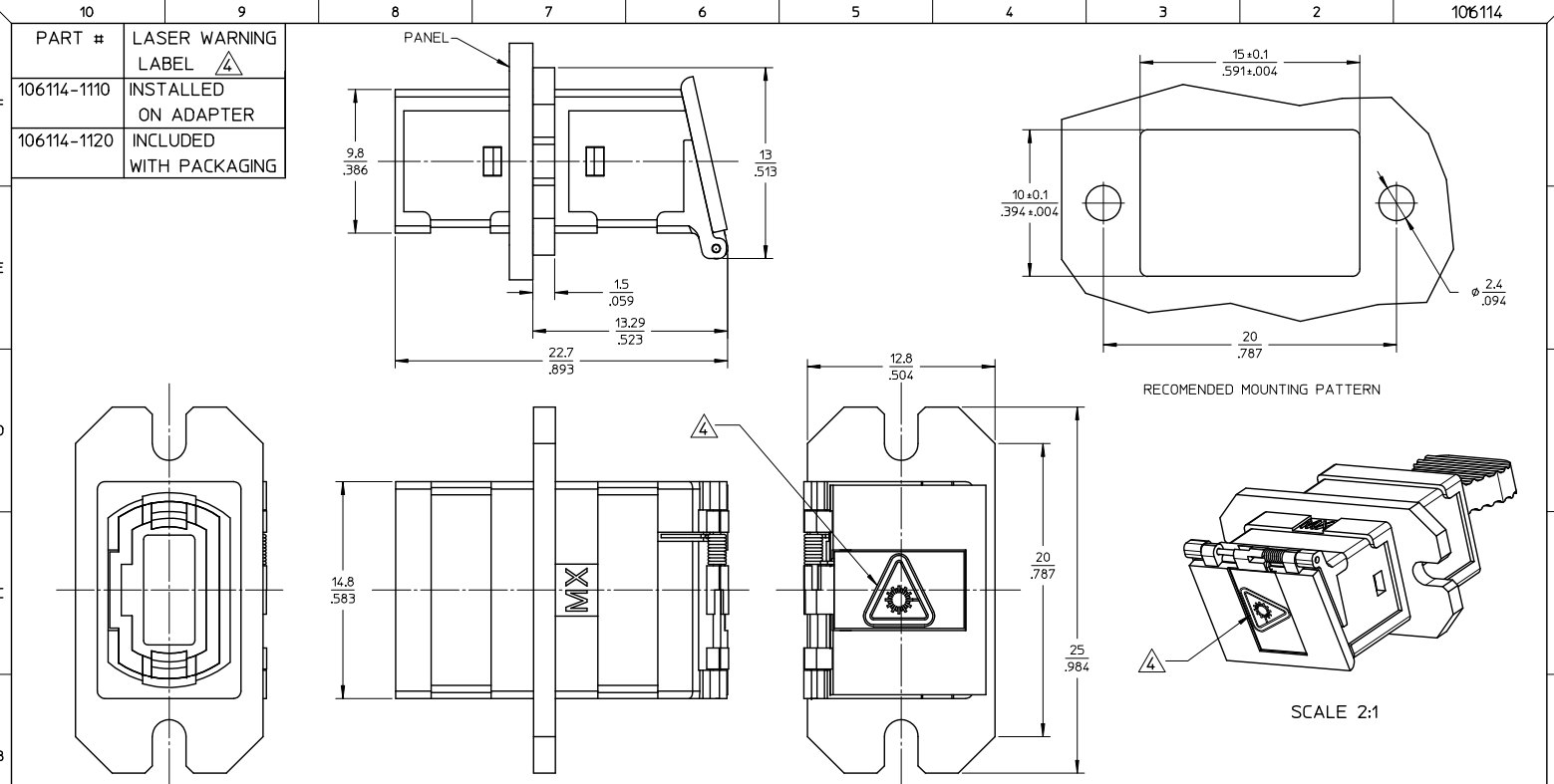
Stocking Distributor

Click to view price, real time Inventory, Delivery & Lifecycle Information:

[Molex Connector Corporation](#)
[1061141120](#)

For any questions, you can email us directly:

sales@integrated-circuit.com



PART #	LASER WARNING LABEL
	106114-1110 INSTALLED ON ADAPTER
106114-1120 INCLUDED WITH PACKAGING	

NOTES:	ENTER DESCRIPTION	QUALITY SYMBOLS	GENERAL TOLERANCES (UNLESS SPECIFIED)	DIMENSION STYLE	SCALE	DESIGN UNITS	THIRD ANGLE PROJECTION
1. DUST CAP SHOWN ONLY IN ISOMETRIC VIEW.	EC NO: ME2015-0096	=0	4 PLACES ± --- ± ---	MM/IN	4:1	METRIC	
2. ADAPTERS TO BE PACKED IN TRAY.	2014/08/20	=0	3 PLACES ± --- ± ---	DRAWN BY JSZEWZYK	DATE 2009/06/09	TITLE	MPO EMI ADAPTER, FLANGE, NO EMI GASKET
3. OUTER SHELL OF PART IS DIECAST.	CHKD: YEDWAYAK		2 PLACES ± 0.10 ± ---	CHECKED BY	DATE	APPROVED BY	MOLEX INCORPORATED
4. LASER WARNING LABEL IS INSTALLED ON ADAPTER P/N 106114-1110. LASER WARNING LABEL IS SUPPLIED WITH ADAPTER P/N 106114-1120, TO BE INSTALLED BY CUSTOMER.	2014/08/22		1 PLACE ± 0.10 ± ---	APPROVED BY IGUMIN	DATE 2010/02/09	MATERIAL NO.	SD-106114-1110
	APPRE: IGUMIN		ANGULAR ± 1/2°	MATERIAL NO.	1061141110	DOCUMENT NO.	1 OF 1
	REV		DRAFT WHERE APPLICABLE MUST REMAIN WITHIN DIMENSIONS	SIZE	B	THIS DRAWING CONTAINS INFORMATION THAT IS PROPRIETARY TO MOLEX INCORPORATED AND SHOULD NOT BE USED WITHOUT WRITTEN PERMISSION	