

## **Excellent Integrated System Limited**

Stocking Distributor

Click to view price, real time Inventory, Delivery & Lifecycle Information:

[TE Connectivity AMP Connectors](#)  
[504001-1](#)

For any questions, you can email us directly:

[sales@integrated-circuit.com](mailto:sales@integrated-circuit.com)

4  
 DRAWING MADE IN THIRD ANGLE PROJECTION

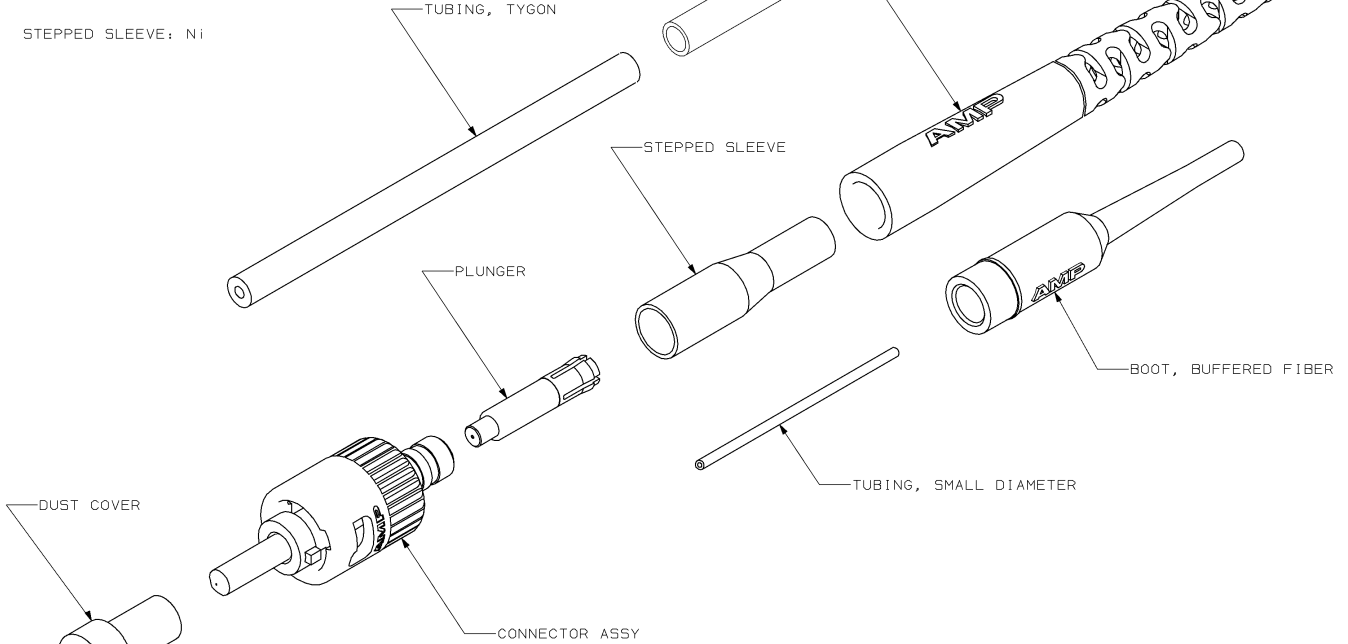
THIS DRAWING IS UNPUBLISHED. RELEASED FOR PUBLICATION .19  
 © COPYRIGHT 19 BY AMP INCORPORATED. ALL INTERNATIONAL RIGHTS RESERVED.

LOC	Q1ST	P	F	ZONE	LTR	REVISIONS	DATE	APPD
CE	16				G	REV PER 0A00-0318-96	7-8-96	DDE

⚠ CONNECTOR ASSY: AL, CERAMIC  
 BOOT: THERMOPLASTIC ELASTOMER  
 STEPPED SLEEVE: BRASS/COPPER  
 PLUNGER: AL

⚠ STEPPED SLEEVE: Ni

LARGE Ø BLACK PVC TUBING  
 FOR USE WITH CABLE  
 JACKETS LESS THAN 2.3mm



SUPERSEDED BY 504001-1	-	BUFFERED FIBER	0.8 - 0.9 mm	504001-6
SUPERSEDED BY 504001-1	-	BUFFERED FIBER	0.9 - 1 mm	504001-5
OBSOLETE	STEPPED SLEEVE	LONG	500µm	504001-4
SUPERSEDED BY 504001-1	-	BUFFERED FIBER	250µm	504001-3
SUPERSEDED BY 504001-1	STEPPED SLEEVE	LONG	0.8 - 0.9 mm	504001-2
SUPERSEDED BY 504001-1	STEPPED SLEEVE	LONG/ BUFFERED	250µm/ 0.8 - 1 mm	504001-1
	CRIMP SLEEVE	BOOT TYPE	BUFFER SIZE	PART NO
DO NOT SCALE PRINT. UNLESS SPECIFIED DIMENSIONS IN mm (INCHES) TOLERANCES ON + 2 PLC DEC ± - 3 PLC DEC ± - ANGLES ± -	DR 8-29-92 D ERDMAN	AMP Incorporated Harrisburg, PA 17105-3608		
MATERIAL	CHK 8-29-92 B EDWARDS			
FINISH	APPD 8-21-92 S GRINDERSLEV	NAME KIT, CONNECTOR, 125µm 2.5mm BAYONET, XTC MULTIMODE		
	PRODUCT SPEC	APPD 8-29-92 K MONROE	DRAWING NO C=504001	
THIS DRAWING IS A CONTROLLED DOCUMENT FOR AMP INCORPORATED. IT IS SUBJECT TO CHANGE AND THE CONTROLLING ENGINEERING ORGANIZATION SHOULD BE CONTACTED FOR THE LATEST REVISION.	APPLICATION SPEC	SIZE C	CAGE CODE 00779	SHEET 1 OF 1
		WEIGHT	SCALE	CUSTOMER DRAWING