

Excellent Integrated System Limited

Stocking Distributor

Click to view price, real time Inventory, Delivery & Lifecycle Information:

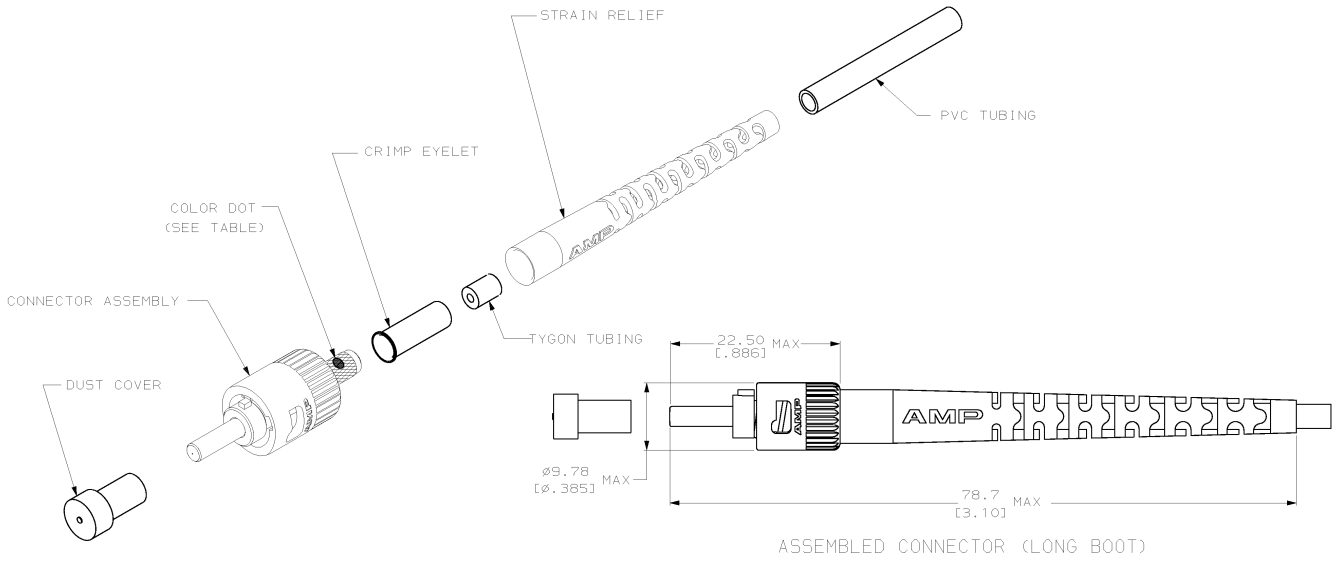
[TE Connectivity AMP Connectors](#)
[502579-2](#)

For any questions, you can email us directly:

sales@integrated-circuit.com

THIS DRAWING IS UNPUBLISHED.
 RELEASED FOR PUBLICATION
 BY AMP INCORPORATED. ALL RIGHTS RESERVED.

LOC	DATE	REV	DESCRIPTION	DATE	BY	APP'D
CE	16	J	REV PER 0A00-0348-02	17JUN02	JWD	SB



1. DIMENSIONS IN [] ARE IN INCHES.

- 1. BODY: BRASS
- 2. CAPILLARY: ZIRCONIA (ZrO_2)
- 3. COUPLING NUT: ZINC
- 4. STRAIN RELIEF: THERMOPLASTIC
- 5. BODY: ELECTROLESS NICKEL
- 6. COUPLING NUT: ELECTROLESS NICKEL

OBSOLETE	RED	126 μ m	502579-4
OBSOLETE	BLUE	127 μ m	502579-3
OBSOLETE	YELLOW	126 μ m	502579-2
OBSOLETE	YELLOW	125 μ m	502579-1

STRAIN RELIEF COLOR	COLOR DOT	FIBER SIZE	PART NO
---------------------	-----------	------------	---------

THIS DRAWING IS A CONTROLLED DOCUMENT.

DESIGNED BY: J. MILLER	DATE: 7-2-90	AMP Incorporated Harrisburg, PA 17105-3508
DESIGNED BY: J. SCHAFER	DATE: 7-2-90	
DESIGNED BY: J. FERDIE	DATE: 7-2-90	CONNECTOR KIT, SINGLEMODE, 2.5mm BAYONET, OPTIMATE
MATERIAL: -	FINISH: -	SIZE: A2 00779 C-502579 SCALE: NTS SHEET 1 OF 1 REV J

CUSTOMER DRAWING