



## **Excellent Integrated System Limited**

Stocking Distributor

Click to view price, real time Inventory, Delivery & Lifecycle Information:

[Amphenol RF](#)  
[031-6294](#)

For any questions, you can email us directly:  
[sales@integrated-circuit.com](mailto:sales@integrated-circuit.com)

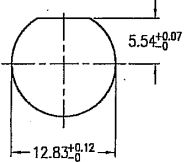


- NOTES:
- MATERIALS AND FINISHES(PLATING THICKNESS IN MICRO-INCHES):  
 BODY - ZINC DIECAST, NICKEL PLATING  
 CONTACT - BERYLLIUM COPPER, GOLD PLATING  
 INSULATOR - PTFE & VALOX 414
  - ELECTRICAL:  
 A. IMPEDANCE: 50 OHM  
 B. FREQUENCY RANGE: DC 0-11 GHz  
 C. VSWR(RETURN LOSS): 1.5 MAX.  
 D. DIELECTRIC WITHSTANDING VOLTAGE: 1500 VRMS, MIN.
  - MECHANICAL:  
 A. DURABILITY: 500 CYCLES MIN.  
 B. TEMPERATURE RANGE: - 40°C to +155°C
  - THE LEGS ARE TIN DIPPED AND LEAD FREE TIN USED

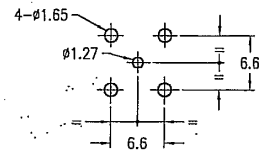
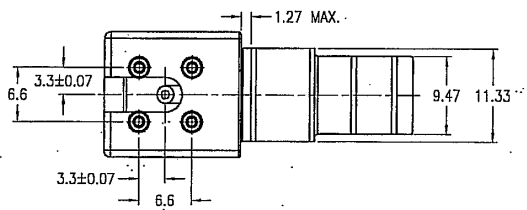
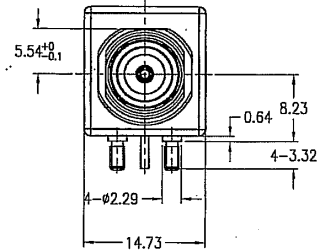
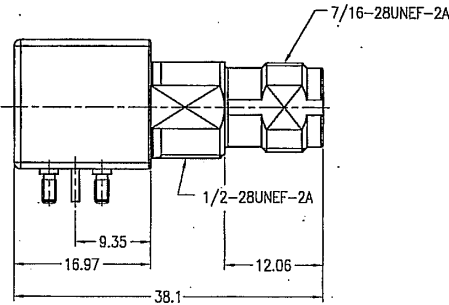
THIRD ANGLE PROJ.

REVISIONS

REV	DESCRIPTION	DATE	ECO	APPR
A	RELEASE TO MFG.	20-Jun-07	46532	MS



RECOMMENDED MOUNTING HOLE



PCB MOUNTING HOLE  
 MAX. PCB PANEL THICKNESS=2.54mm

**CUSTOMER OUTLINE DRAWING**

ALL OTHER SHEETS ARE FOR INTERNAL USE ONLY

UNLESS OTHERWISE SPECIFIED, DIMENSIONS ARE IN METRIC AND TOLERANCES ARE:  
 0.5 - 6mm ±0.1mm  
 6 - 30mm ±0.2mm  
 30 - 120mm ±0.3mm  
 ANGLES ±1°

NOTICE - These drawings, specifications, or other data (1) are, and remain the property of Amphenol Corp. (2) must be returned upon request; and (3) are confidential and not to be disclosed to any person other than those to whom they are given by Amphenol Corp. The furnishing of these drawings, specifications, or other data by Amphenol Corp., or to any other person to anyone for any purpose is not to be regarded by implication or otherwise in any manner licensing, granting rights or permitting such holder or any other person to manufacture, use or sell any product, process or design, patented or otherwise, that may in any way be related to or disclosed by said drawings, specifications, or other data.

MATERIAL	DRAWN	M. SHANG	DATE	20-Jun-07	TITLE	TNC R/A PCB BULKHEAD			Amphenol RF Danbury CT USA, Tainan Taiwan, Shenzhen China www.amphenolrf.com	
	ENGINEER	Gusy	DATE	20-Jun-07		DRAWING NO.	T6252P1-006-NTJG-50			
REFERENCE	APPROVED		DATE	20-Jun-07	SCALE: 1.5/1	SHEET	2 OF 2		ITEM NO.	026252AAQ90NASF
	FINISH	F:\DWG\T\6252P1\50\NTJG5Z			DWG SIZE	B	CODE ID	74868	REV	A
									PART NO.	31-6294