



Excellent Integrated System Limited

Stocking Distributor

Click to view price, real time Inventory, Delivery & Lifecycle Information:

[Amphenol RF](#)
[531-40008](#)

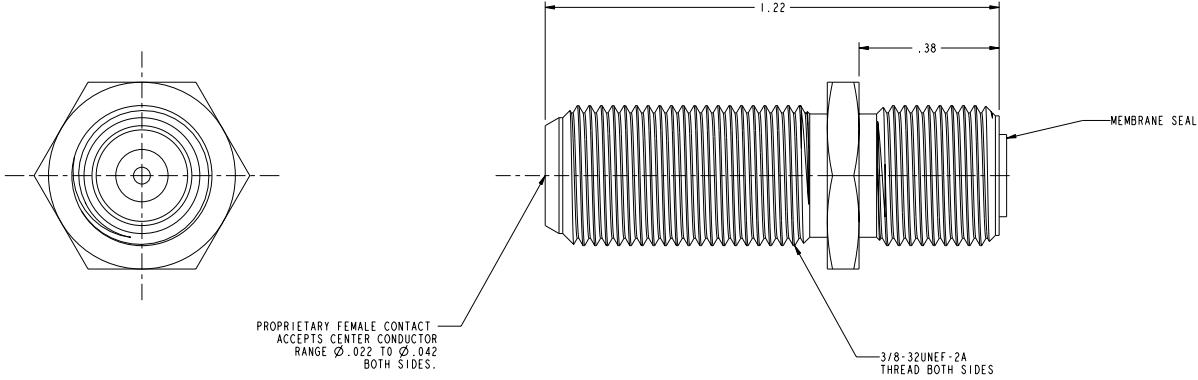
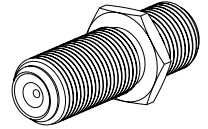
For any questions, you can email us directly:

sales@integrated-circuit.com

NOTES:

- MATERIALS:
 CONTACT - BERYLLIUM COPPER, BRIGHT ACID TIN PLATE
 INSULATOR - PTFE
 BODY - BRASS, BRIGHT ACID TIN PLATE
- RETURN LOSS: 30 dB, TO 1GHz.

531-40008		REVISIONS			
DRAWING NO.	REV	DESCRIPTION	DATE	ECO	APPR
THIRD ANGLE PROJ.	A	OFFICIAL ENG. RELEASE TO MFG.	6/13/95	40759	ORB/ORB
	B	ADDED MEMBRANE SEAL	7/7/95	40794	ORB
	C	SEE SHEET 1	7/25/95	40846	ORB
	D	SEE SHEET 1	6/3/96	41388	JJD
	E	SEE SHEET 1	5/22/97	41989	JW
	F	SEE SHEET 1	4/3/06	45933	CPM



CUSTOMER OUTLINE DRAWING
 ALL OTHER SHEETS ARE FOR INTERNAL USE ONLY

UNLESS OTHERWISE SPECIFIED, DIMENSIONS ARE IN INCHES AND TOLERANCES ARE: 2 PLACE DECIMAL ±.015 (0.381 mm) 3 PLACE DECIMAL ±.005 (0.127 mm) ANGLES ± 1° NOTICE - These drawings, specifications, or other data (1) are, and remain the property of Amphenol Corp. (2) must be returned upon request; and (3) are confidential and not to be disclosed to any person other than those to whom they are given by Amphenol Corp. The furnishing of these drawings, specifications, or other data by Amphenol Corp., or to any other person to anyone for any purpose is not to be regarded by implication or otherwise in any manner licensing, granting rights or permitting such holder or any other person to manufacture, use or sell any product, process or design, patented or otherwise, that may in any way be related to or disclosed by said drawings, specifications, or other data.	MATERIAL	DRAWN OWEN BARTHELME DATE 05-Jun-95 ENGINEER OWEN BARTHELME DATE 05-Jun-95	TITLE	F RECEPTACLE FEMALE - FEMALE	Amphenol RF Danbury, CT, USA Tainan, Taiwan Shenzhen, China www.amphenolrf.com
	REFERENCE	APPROVED J. A. MAKUCH DATE 13-Jun-95 CAD FILE I:\CATV\TYPE\531-40008	CODE ID 74868 DWG SIZE B DRAWING NO. 531-40008 REV F	SCALE: 4.0:1 SHEET 2 OF 2	