

Excellent Integrated System Limited

Stocking Distributor

Click to view price, real time Inventory, Delivery & Lifecycle Information:

[TE Connectivity AMP Connectors](#)
[503137-1](#)

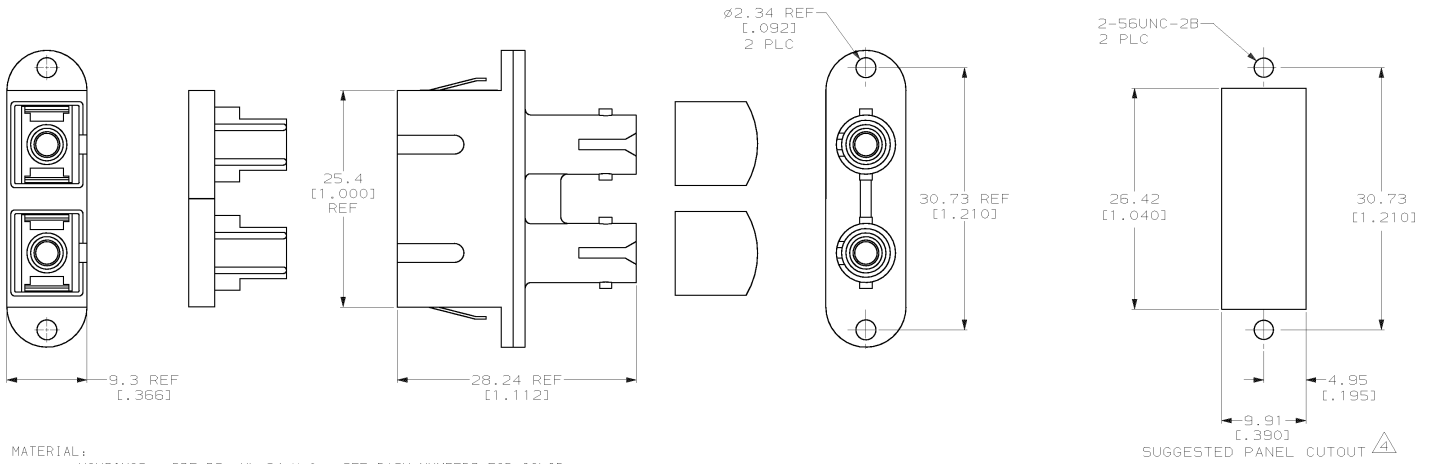
For any questions, you can email us directly:

sales@integrated-circuit.com

DRAWING MADE IN THIRD ANGLE PROJECTION

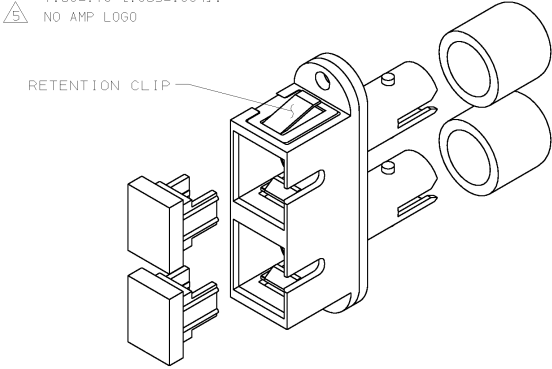
THIS DRAWING IS UNPUBLISHED. RELEASED FOR PUBLICATION .19
 © COPYRIGHT 19 BY AMP INCORPORATED. ALL INTERNATIONAL RIGHTS RESERVED.

LRC	DIST	P	F	ZONE	LTR	REVISIONS		
						DESCRIPTION	DATE	APPD
CE	16				K	REVISE PER 0A00-0632-02	24JUL02	KG/SB



MATERIAL:
 HOUSINGS - PPE+PS, UL 94 V-0*, SEE DASH NUMBERS FOR COLOR
 RETENTION CLIP - STAINLESS STEEL
 SLEEVE - SEE TABLE
 CONNECTOR RETAINER - PEI-GF30, COLOR: BLACK, UL 94 V-0*
 DUST COVER, SC - TPE, COLOR: BLACK, UL 94 V-0*
 DUST COVER, ST - PVC, COLOR: RED, NON-FR
 *RATED AT QUALIFYING THICKNESS

- 2. DIMENSIONS IN [] ARE IN INCHES.
- 3. BULK PACKAGE, 50 PIECES.
- 4. RECOMMENDED PANEL THICKNESS 1.60±.10 [.063±.004].
- 5. NO AMP LOGO



RETENTION CLIP	COLOR	MATERIAL	PART NO
RETENTION CLIP	BEIGE	PHOSPHOR BRONZE	2-503137-0
RETENTION CLIP	BLUE	ZIRCONIA	1-503137-9
NONE	BLACK	PHOSPHOR BRONZE	1-503137-7
NONE	LT ALMOND	ZIRCONIA	1-503137-6
NONE	LT ALMOND	ZIRCONIA	1-503137-5
NONE	LT ALMOND	PHOSPHOR BRONZE	1-503137-4
NONE	LT ALMOND	PHOSPHOR BRONZE	1-503137-3
RETENTION CLIP	BEIGE	ZIRCONIA	1-503137-2
RETENTION CLIP	BLUE	ZIRCONIA	1-503137-1
RETENTION CLIP	BLACK	ZIRCONIA	1-503137-0
RETENTION CLIP	BEIGE	PHOSPHOR BRONZE	503137-9
RETENTION CLIP	BLUE	PHOSPHOR BRONZE	503137-8
RETENTION CLIP	BLACK	PHOSPHOR BRONZE	503137-7
RETENTION CLIP	BEIGE	ZIRCONIA	503137-6
RETENTION CLIP	BLUE	ZIRCONIA	503137-5
RETENTION CLIP	BLACK	ZIRCONIA	503137-4
RETENTION CLIP	BEIGE	PHOSPHOR BRONZE	503137-3
RETENTION CLIP	BLUE	PHOSPHOR BRONZE	503137-2
RETENTION CLIP	BLACK	PHOSPHOR BRONZE	503137-1
INCLUDED HARDWARE	COLOR	ALIGNMENT SLEEVE	PART NO

DO NOT SCALE PRINT. UNLESS SPECIFIED DIMENSIONS IN INCHES TOLERANCES ON:	DR 10-6-92 R R SCHAFFER	AMP INCORPORATED Harrisburg, Pa. 17105	
2 PLC DEC ± -	CHK 10-6-92 D STAKEM	NAME	
ANGLES # - -	APPO 10-6-92 K MOHRIC	ADAPTER, DUPLEX AMP SC - ST STYLE	
MATERIAL	APPO 10-6-92 R WEBER	SIZE	FSCM NO
	PRODUCT SPEC	C	00779
FINISH	APPLICATION SPEC	DRAWING NO	503137
		SCALE	3:1
WEIGHT		SHEET	1 OF 1

METRIC