

Excellent Integrated System Limited

Stocking Distributor

Click to view price, real time Inventory, Delivery & Lifecycle Information:

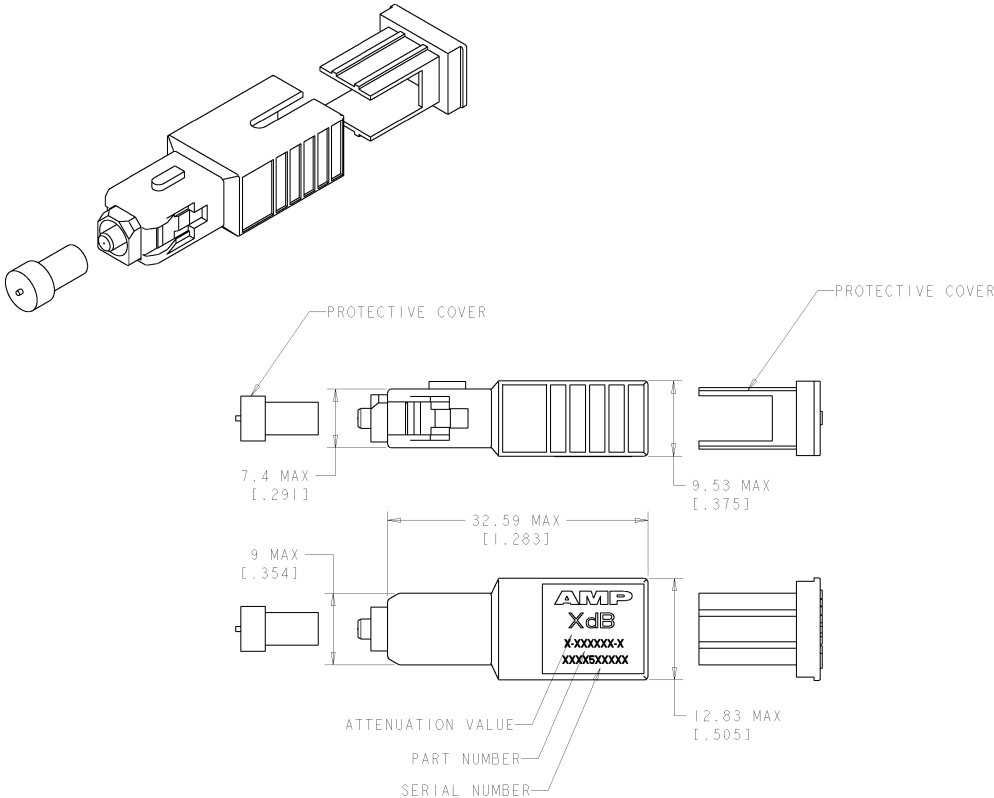
[TE Connectivity AMP Connectors](#)
[209943-3](#)

For any questions, you can email us directly:

sales@integrated-circuit.com

THIS DRAWING IS UNPUBLISHED. RELEASED FOR PUBLICATION
 (C) COPYRIGHT 20 BY TFCO ELECTRONICS CORPORATION. ALL RIGHTS RESERVED.

REV	DATE	DESCRIPTION	DATE	BY	CHKD
J	02-15-01	REV PER ECN 0A10-0110-01		JAB	CB
K	28NOV2001	REV PER ECN 0A10-0252-01		JAB	CB



NOMINAL ATTENUATION VALUE (dB)	PART NUMBER
1	209943-1
2	209943-2
3	209943-3
4	209943-4
5	209943-5
6	209943-6
7	209943-7
8	209943-8
9	209943-9
10	1-209943-0
11	1-209943-1
12	1-209943-2
13	1-209943-3
14	1-209943-4
15	1-209943-5
16	1-209943-6
17	1-209943-7
18	1-209943-8
19	1-209943-9
20	2-209943-0
21	2-209943-1
22	2-209943-2
23	2-209943-3
24	2-209943-4
25	2-209943-5
30	3-209943-0

PERFORMANCE REQUIREMENTS:
 OPERATING WAVELENGTH : 1310/1550 ±25nm
 REFLECTANCE : ≤ -55dB
 OPERATING TEMPERATURE : -40C TO +75C
 ATTENUATION TOLERANCE, AMBIENT : ± 10% OF NOMINAL ATTENUATION VALUE
 FOR ATTENUATION ≥ 5dB : ± 0.50dB
 FOR ATTENUATION < 5dB : ± 0.50dB
 MEASURED WITH REFERENCE QUALITY LAUNCH LEADS

DIMENSIONS: mm [INCHES] TOLERANCES UNLESS OTHERWISE SPECIFIED: 0.000 0.001 0.002 0.005 0.010 0.020 0.050 0.100 0.150 0.250 0.500 1.000 2.000 5.000 10.000 20.000 50.000 100.000 200.000 500.000 1000.000		DWG: J.D. ERDMAN 7-20-00 CHK: S. MILLER 7-20-00 APPR: S. RICHTER 7-20-00	AMP Teco Electronics Harrisburg, PA 17105-8688
MATERIAL: - FINISH: -	PRODUCT SPEC: - APPLICATION SPEC: - WEIGHT: -	TITLE: ATTENUATOR, OPTICAL, BUILD-OUT SC/UPC SM, DUAL WINDOW SIZE: A2 CASE CODE: 00779 DRAWING NO: 209943	RESTRICTED TO: - SCALE: 4:1 SHEET: 1 OF 1 REV: K