



Excellent Integrated System Limited

Stocking Distributor

Click to view price, real time Inventory, Delivery & Lifecycle Information:

[Amphenol RF](#)
[031-6006](#)

For any questions, you can email us directly:

sales@integrated-circuit.com



Distributor of Amphenol RF: Excellent Integrated System Limited
 Datasheet of 031-6006 - CONN BNC PLUG STR 50 OHM CRIMP

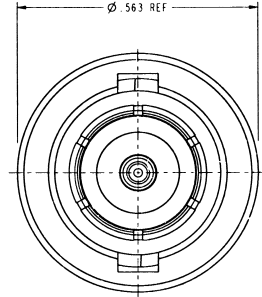
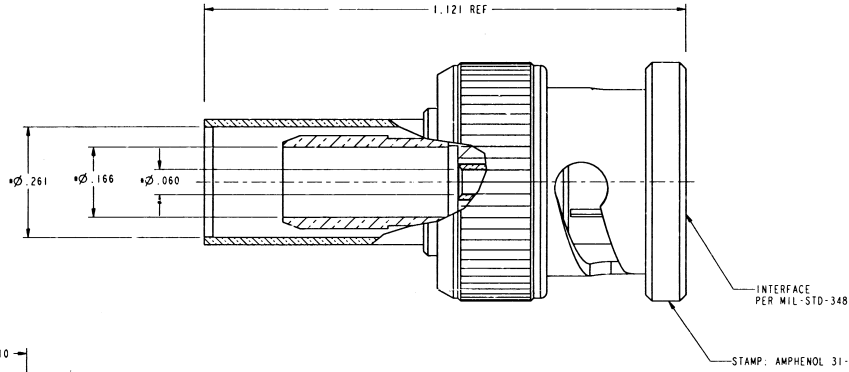
NOTES:

- MATERIALS OF CONSTRUCTION:
 BODY, BAYONET SLEEVE & WASHER - BRASS, NICKEL PLATED .00017/.00025 OVER COPPER STRIKE
 CONTACT - BRASS, GOLD PLATED .00005/.00007 OVER .00005/.00007 NICKEL
 CRIMP FERRULE - COPPER ALLOY, NICKEL PLATED .00017/.00025 OVER COPPER STRIKE.
 INSULATOR - PTFE
 GASKET - SILICONE RUBBER.
- ASTERISK (*) INDICATES CABLE ENTRY DIMENSIONS.
- DO NOT SCALE THIS DRAWING.
- UNLESS OTHERWISE SPECIFIED, ALL DIMENSIONS ARE AFTER PLATING.
- THIS PART NUMBER MEETS REQUIREMENTS OF MIL-C-39012.
- CRIMP USING AMPHENOL TOOL 221-944 (W252015-01)
 AND DIE SET 227-1221-13, CAVITY "A" (.255 HEX.)
 AND CAVITY "B" (.068 HEX.)

31-6006		REVISIONS			
DRAWING NO.	REV	DESCRIPTION	DATE	ECO	APPR
THIRD ANGLE PROJ.	A	OFFICIAL ENG. RELEASE TO MFG.	11/3/98	42717	GA

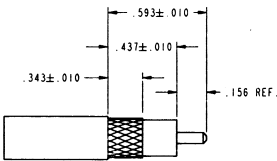


SCALE 1.000



CUSTOMER OUTLINE DRAWING
 FOR REFERENCE ONLY

RECOMMENDED CABLE
 STRIPPING DIMENSIONS



31-6006-0001	1	1	BNC PLUG CRIMP/CRIMP	
PART NUMBER	QTY	ITEM	DESCRIPTION	FINISH

UNLESS OTHERWISE SPECIFIED, DIMENSIONS ARE IN INCHES AND TOLERANCES ARE:
 2 PLACE DECIMAL ± 0.15 (0.381 mm)
 3 PLACE DECIMAL ± 0.05 (0.127 mm)
 ANGLES ± 1°

NOTICE: These drawings, specifications, or other data (1) are, and remain the property of Amphenol Corp. (2) must be returned upon request; and (3) are confidential and not to be disclosed to any person other than those to whom they are given by Amphenol Corp. The furnishing of these drawings, specifications, or other data by Amphenol Corp., or to any other person to anyone for any purpose is not to be regarded by implication or otherwise in any manner licensing, granting rights or permitting such holder or any other person to manufacture, use or sell any product, process or design, patented or otherwise, that may in any way be related to or disclosed by said drawings, specifications, or other data.

MATERIAL	DRAWN	DATE
REFERENCE	G. ANTONINI	01-Jul-98
EARN 961020	ENGINEER	DATE
GEN# ASSYMD.BNC	G. ANTONINI	01-Jul-98
	APPROVED	DATE
	<i>[Signature]</i>	11/3/98
	CAD FILE	
	I:\BNC\31-6006	

TITLE
BNC PLUG CRIMP/CRIMP FOR TWB-2401 & LMR-240 CABLE
SCALE 5 0 1
SHEET 1 OF 1

Amphenol	
Amphenol Corporation	
Communication and Network	
Products Division	
Danbury, CT U.S.A. 06810	
74868	B
31-6006	A