

## **Excellent Integrated System Limited**

Stocking Distributor

Click to view price, real time Inventory, Delivery & Lifecycle Information:

[Amphenol RE](#)  
[000-78750-RFX](#)

For any questions, you can email us directly:

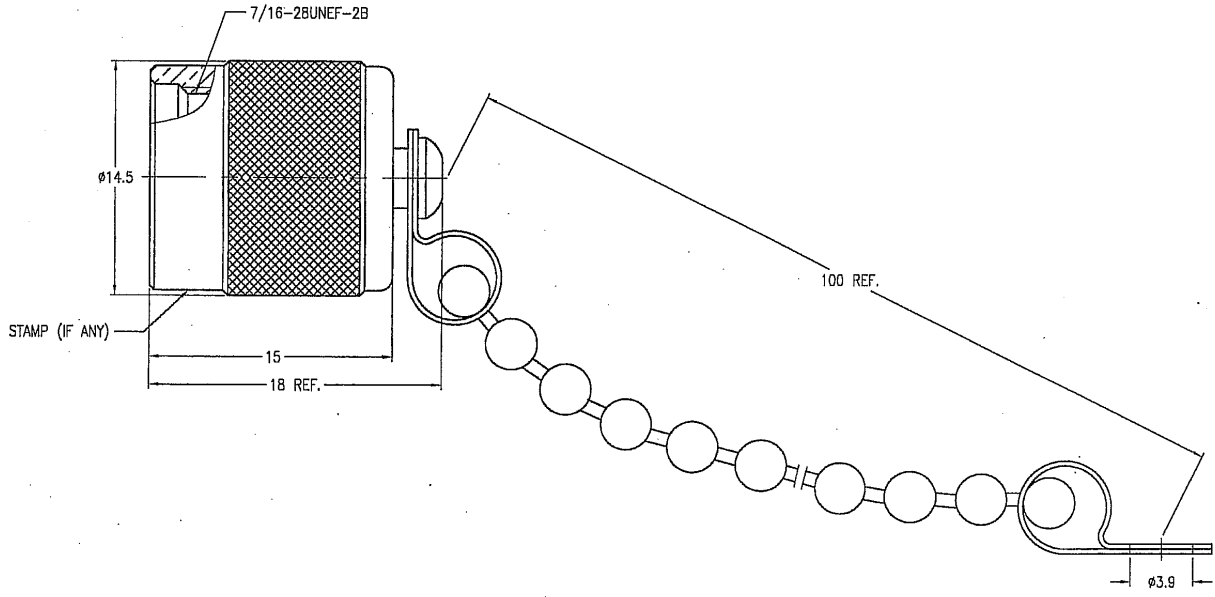
[sales@integrated-circuit.com](mailto:sales@integrated-circuit.com)

NOTES:  
 1. MATERIALS AND FINISHES (PLATING THICKNESS IN MICRO-INCHES):  
 SHELL - BRASS, NICKEL PLATING  
 INSULATOR - PTFE

THIRD ANGLE PROJ.

REVISIONS

REV	DESCRIPTION	DATE	ECO	APPR
A	SEE SHEET 1	23-Oct-93		
B	SEE SHEET 1	6-Feb-95		
C	SEE SHEET 1	23-Sep-96		
C1	SEE SHEET 1	4-May-04		
C2	SEE SHEET 1	07-Dec-04		
D	SEE SHEET 1	8-Dec-04		AFSUM
E	REDRAWN TO UPDATE FORMAT	18-Jan-08	4703	AFSUM



**CUSTOMER OUTLINE DRAWING**  
 ALL OTHER SHEETS ARE FOR INTERNAL USE ONLY

UNLESS OTHERWISE SPECIFIED, DIMENSIONS ARE IN METRIC AND TOLERANCES ARE: 0.5 - 5mm ±0.1mm 6 - 30mm ±0.2mm 30 - 120mm ±0.3mm ANGLES ±1°	MATERIAL	DRAWN AFSUM	DATE 17-Dec-04	TITLE TNC MALE CAP WITH CHAIN	Amphenol RF Danbury CT USA, Tainan Taiwan, Shenzhen China www.amphenolrf.com
	REFERENCE	ENGINEER SCOTT	DATE 17-Dec-04	SCALE: 3/1	SHEET 2 OF 2
NOTICE - These drawings, specifications, or other data (1) are, and remain the property of Amphenol Corp. (2) must be returned upon request, and (3) are confidential and not to be disclosed to any person other than those to whom they are given by Amphenol Corp. The furnishing of these drawings, specifications, or other data by Amphenol Corp., or to any other person to anyone for any purpose is not to be regarded by implication or otherwise in any manner licensing, granting rights or permitting such holder or any other person to manufacture, use or sell any product, process or design, patented or otherwise, that may in any way be related to or disclosed by said drawings, specifications, or other data.	FINISH	APPROVED SCOTT	DATE 17-Dec-04	DWG SIZE B	CODE ID 74868
		CAD FILE F:\DWG\11005A1\N-ESZ		REV E	ITEM NO. 021005AAA00NH0F
					PART NO. 78750-RFX