

Excellent Integrated System Limited

Stocking Distributor

Click to view price, real time Inventory, Delivery & Lifecycle Information:

[Amphenol RE](#)
[903-409J-53P](#)

For any questions, you can email us directly:

sales@integrated-circuit.com

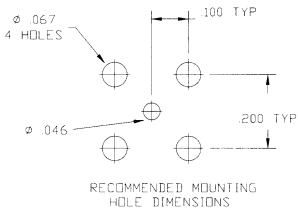
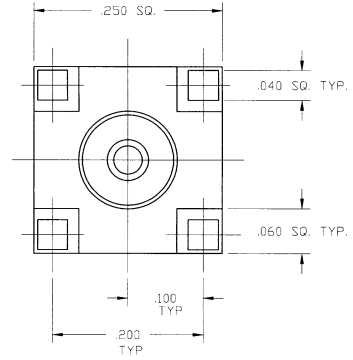
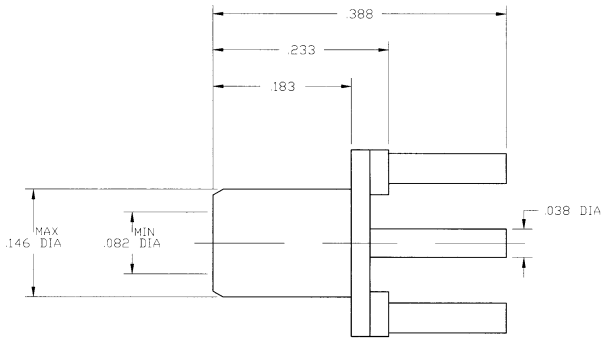


Distributor of Amphenol RF: Excellent Integrated System Limited
Datasheet of 903-409J-53P - CONN SMB JACK STR 50 OHM PCB

NOTES:

- MATERIALS OF CONSTRUCTION:
 BODY, MALE CONTACT = BRASS, GOLD PLATED
 INSULATOR = TFE, FLUOROCARBON
- DO NOT SCALE THIS DRAWING.

903-409J-53P		REVISIONS			
DRAWING NO.	REV.	DESCRIPTION	DATE	ECO	APPR.
THIRD ANGLE PROJ.	A	RELEASE TO MFG			
	E	SEE SHEET 1	7/12/00	43433	CPM/



CUSTOMER OUTLINE
DRAWING

UNLESS OTHERWISE SPECIFIED, DIMENSIONS ARE IN INCHES AND TOLERANCES ARE: 2 PLACE DECIMAL ±.015 (0.381 mm) 3 PLACE DECIMAL ±.005 (0.127 mm) ANGLES ± 1° NOTICE - These drawings, specifications, or other data (1) are, and remain the property of Amphenol Corp. (2) must be returned upon request; and (3) are confidential and not to be disclosed to any person other than those to whom they are given by Amphenol Corp. The furnishing of these drawings, specifications, or other data by Amphenol Corp. or to any other person to anyone for any purpose is not to be regarded by implication or otherwise in any manner licensing, granting, rights or permitting such holder or any other person to manufacture, use or sell any product, process or design, patented or otherwise, that may in any way be related to or disclosed by said drawings, specifications, or other data.	MATERIAL	DRAWN C. McGRATH	DATE 6/29/00	TITLE SLIDE-ON JACK PC MOUNT	Amphenol Amphenol Corporation RF/Microwave Operations Danbury, Conn. USA 06810 SCALE: 8:1 SHEET 2 OF 2
	REFERENCE CAR 111-962253	ENGINEER P. BRENZEL	DATE 6/29/00	APPROVED <i>[Signature]</i>	
		CAD FILE H:\PETE\SMB\903\ASSY\409J53PC	CODE ID 74868	DWG SIZE B	DRAWING NO. 903-409J-53P
					ISSUE F