

## Excellent Integrated System Limited

Stocking Distributor

Click to view price, real time Inventory, Delivery & Lifecycle Information:

[Schurter](#)  
[4803.1210](#)

For any questions, you can email us directly:

[sales@integrated-circuit.com](mailto:sales@integrated-circuit.com)

Data & Signal, Plug, 6.3 mm, 2-pole, solder terminal, insulated, angled



**Description**

- Solder terminal:  
for cable mounting
- Data and Signal transfer
- Data and Signal Connectors 2-pole, insulated, angled

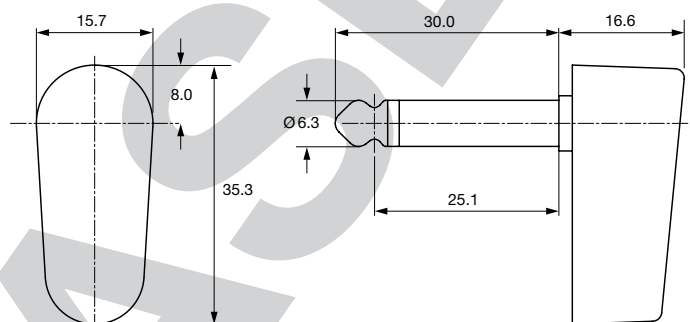
**References**

Alternative: Housing shielded [4803.1200](#)  
Last order date: 30.06.2016

**Technical Data**

Diameter	6.3 mm	Allowable Operation Temp.	-20 °C to 70 °C
Number of Poles	2-pole	Terminal	solder terminal
Ratings DC	2A / 12VDC	Housings	insulated
Ratings AC	2A / 12VAC	Style	angled
Dielectric Strength	1000VDC	Lifetime	10000 Insertions
Insulation Resistance	> 10000 MΩ @ 500VDC		

**Dimensions**



**All Variants**

Product group	Diameter [mm]	Number of Poles	Terminal	Order Number
Data and Signal Plug/ Sockets	6.3	2-pole	solder terminal	<a href="#">4803.1220</a>

Most Popular.

Availability for all products can be searched real-time: <http://www.schurter.com/Stock-Check/Stock-Check-SCHURTER>

**Packaging unit** 100 Pcs