

Excellent Integrated System Limited

Stocking Distributor

Click to view price, real time Inventory, Delivery & Lifecycle Information:

[Schurter](#)
[4803.3300](#)

For any questions, you can email us directly:
sales@integrated-circuit.com

Data and Signal Plug/Socket

www.schurter.com/PG12_4

Daten & Signal, Inline Socket, 6.3 mm, 3-pole, solder terminal, shielded



Description

- Solder terminal:
- Data and Signal transfer
- Data and Signal Connectors 3-pole, shielded, straight

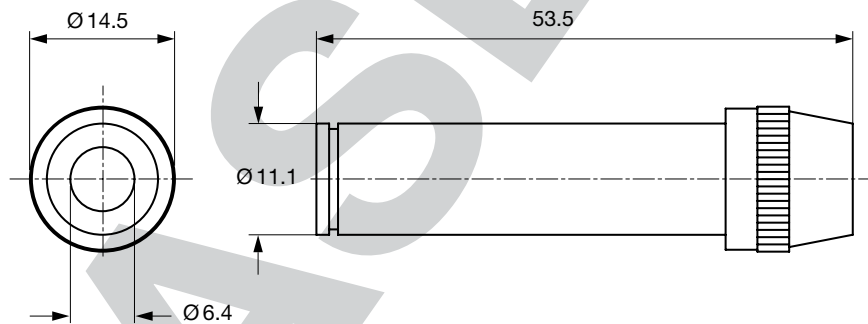
References

Alternative: Housing insulated
Last order date: 30.06.2016

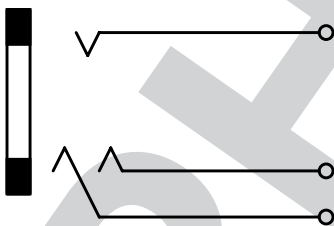
Technical Data

Diameter	6.3 mm	Allowable Operation Temp.	-20 °C to 70 °C
Number of Poles	3-pole	Terminal	solder terminal
Ratings DC	2 A / 12 VDC	Housings	screened
Ratings AC	2 A / 12 VAC	Style	straight
Dielectric Strength	1000VDC	Lifetime	10000 Insertions
Insulation Resistance	> 10000 MΩ @ 500VDC		

Dimensions



Diagrams



4803.3300

Data and Signal Plug/Socket
www.schurter.com/PG12_4**All Variants**

Product group	Diameter [mm]	Number of Poles	Terminal	Order Number
Data and Signal Plug/ Sockets	6.3	3-pole	solder terminal	4803.3300

■ Most Popular.

Availability for all products can be searched real-time:<http://www.schurter.com/Stock-Check/Stock-Check-SCHURTER>**Packaging unit** 100 Pcs

PHASE-OUT