

Excellent Integrated System Limited

Stocking Distributor

Click to view price, real time Inventory, Delivery & Lifecycle Information:

[Schurter](#)
[4831.1220](#)

For any questions, you can email us directly:

sales@integrated-circuit.com

Audio Plug/Sockets

www.schurter.com/PG12_1

Audio Connector, Plug, 2.5 mm, 2-pole, solder terminal, insulated, angled



Description

- Solder terminal:
for cable mounting
- Audio entrances and exits
- Data and Signal transfer
- Audio Plug: 2-pole, insulated, angled

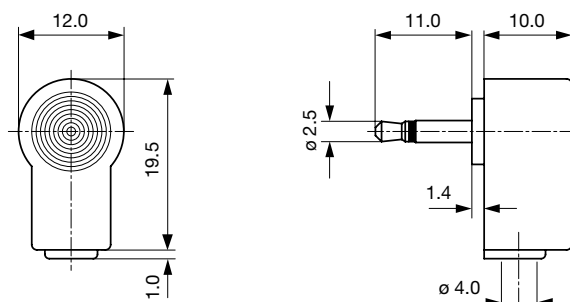
References

Alternative: Housing shielded [4831.1200](#)

Technical Data

Diameter	2.5 mm	Allowable Operation Temp.	-20°C to 70°C
Number of Poles	2-pole	Terminal	solder terminal nickel-plated
Ratings DC	0.5 A / 30VDC	Housings	insulated
Ratings AC	0.5 A / 30VAC	Style	angled
Dielectric Strength	500VDC	Lifetime	5000Insertions
Insulation Resistance	> 100 MΩ @ 500VDC		

Dimensions



Cable diameter max. 4.0 mm

All Variants

Product group	Diameter [mm]	Number of Poles	Terminal	Order Number
Audio Plug/Sockets	2.5	2-pole	solder terminal	4831.1220

Availability for all products can be searched real-time: <http://www.schurter.com/Stock-Check/Stock-Check-SCHURTER>

Packaging unit 100 Pcs

Mating Outlets/Connectors

Category / Description



[Audio Plug/Sockets Overview complete](#)

4831, solder terminal, screened, 2-pole, Audio Plug/Sockets, 2.5 mm	4831.2200
4831, PCB terminals, screened, 2-pole, Audio Plug/Sockets, 2.5 mm	4831.2220
4831, PCB terminals, insulated, 2-pole, Audio Plug/Sockets, 2.5 mm	4831.2230
4831, solder terminal, insulated, 2-pole, Audio Plug/Sockets, 2.5 mm	4831.3200

[Audio Plug/Sockets further types to 4831.1220](#)