

Excellent Integrated System Limited

Stocking Distributor

Click to view price, real time Inventory, Delivery & Lifecycle Information:

[Schurter](#)
[4840.2221](#)

For any questions, you can email us directly:

sales@integrated-circuit.com

DC Plug/Socket

www.schurter.com/PG12_2

DC Connector, Socket, 6.0 mm, 2-pole, solder terminals for PCB



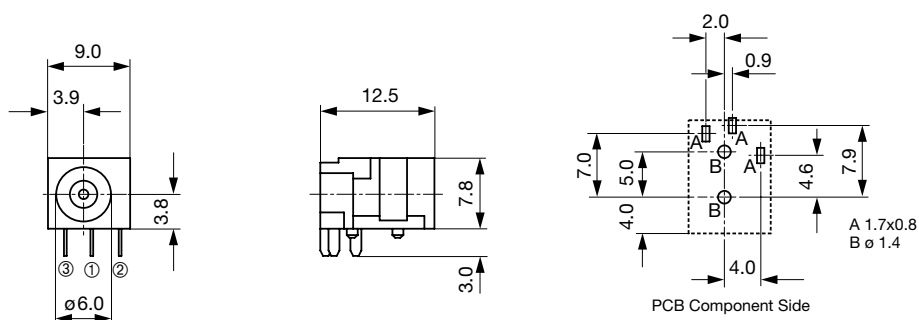
Description

- PCB Mounting:
- Drop-in type, from rear-side
- Low Voltage DC Plug and Socket
- DC Plug: 2-pole, straight

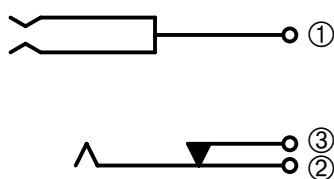
Technical Data

Diameter	6.0 mm / 3.0 mm / 1.05 mm	Allowable Operation Temp.	-20 °C to 70 °C
Number of Poles	2-pole	Terminal	PCB terminals silver plated
Ratings DC	2A / 13.5VDC	Mounting	Drop-in type
Dielectric Strength	500VDC	Style	straight
Insulation Resistance	> 100 MΩ @ 500VDC	Lifetime	5000Insertions

Dimensions



Diagrams



All Variants

Product group	Diameter [mm]	Number of Poles	Terminal	Order Number
DC Plug/Socket	6.0	2-pole	PCB terminals	4840.2221

Availability for all products can be searched real-time: <http://www.schurter.com/Stock-Check/Stock-Check-SCHURTER>

Packaging unit 500 Pcs

4840.2221

DC Plug/Socket
www.schurter.com/PG12_2

Mating Inlets/Plugs

Category / Description

[DC Plug/Socket Overview complete](#)

4840, solder terminal, Plug, 5.5 mm, 2-pole, DC Plug/Socket	4840.1220
4840, Cable, Plug, 5.5 mm, 2-pole, DC Plug/Socket	4840.5220
4840, Cable, Plug, 5.5 mm, 2-pole, DC Plug/Socket	4840.5221

[DC Plug/Socket further types to 4840.2221](#)