

## Excellent Integrated System Limited

Stocking Distributor

Click to view price, real time Inventory, Delivery & Lifecycle Information:

[Schurter](#)  
[6162.0082](#)

For any questions, you can email us directly:  
[sales@integrated-circuit.com](mailto:sales@integrated-circuit.com)

IEC Appliance Inlet C14, insert Mounting, Solder or Quick-connect, PCB or Screw Terminal



C14  
  
 70° C



**Description**

- Panel Mount:
- Drop-in type
- 1 Function:

- Appliance Inlet, Pin temperature 70 °C, Protection class I
- Solder, quick-connect, screw, PCB

**Approvals**

- VDE Certificate Number: 40011871

**References**

This type is Phase-out without alternate type  
 Last order date: 31.12.2012

**Weblinks**

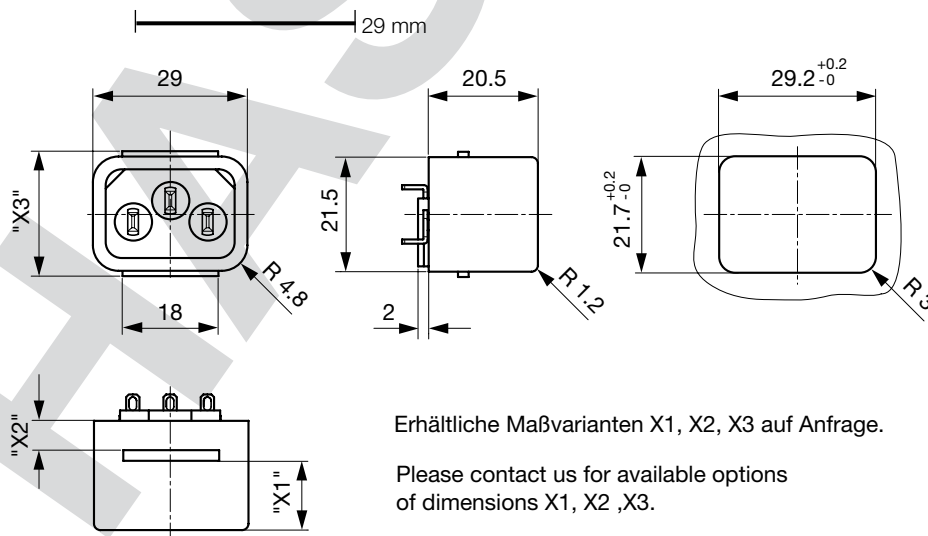
[pdf-datasheet](#), [html-datasheet](#), [General Product Information](#), [Approvals](#), [RoHS](#), [CHINA-RoHS](#), [Mating Connectors](#), [e-Shop](#), [SCHURTER-Stock-Check](#), [Distributor-Stock-Check](#), [CAD-Drawings](#), [Accessories](#), [Detailed request for product](#)

Newly available variants corresponding to V-Lock mating cordset. The connector is equipped with a notch intended for use with the latching cordset. The cord latching system prevents against accidental removal of the cordset.

**Technical Data**

Ratings IEC	10A / 250VAC; 50Hz	Appliance Inlet	C14 acc. to IEC 60320
Dielectric Strength	> 3kVAC between L-N > 1.5kVAC between L/N-PE (1 min/50Hz)		UL 498, CSA C22.2 no. 42 (for cold conditions) pin-temperature 70 °C, 10A, Protection Class I
Allowable Operation Temp.	-25 °C to 70 °C		
Degree of Protection	from front side IP 20 acc. to IEC 60529		
Protection Class	Suitable for appliances with protection class I acc. to IEC 61140		
Material: Housing	PA6, black or grey, UL 94V-0		

**Dimensions**



Erhältliche Maßvarianten X1, X2, X3 auf Anfrage.

Please contact us for available options of dimensions X1, X2, X3.

Length of the terminal please find at the order code configuration table

### Config. Code






6170 - H - A B C 0 - D - E

The characters are placeholders for the correspondingly keys of selections from the key tables.

6170 - **H** - A B C 0 - D - E = Type

Type	Configuration key
protection class 1	X

6170 - H - **A** B C 0 - D - E = Terminals

Terminal L	Configuration key
short solder terminal (L = 4.8 mm) 	2
long solder terminal (L = 8.5 mm) 	3
PCB-terminal (standard) 	4
Blade terminal (4.8 x 0.8 mm) 	8
Blade terminal (6.3 x 0.8 mm) 	9
screw terminal	A

6170 - H - A **B** C 0 - D - E = Terminals

Terminal N	Configuration key
short solder terminal (L = 4.8 mm)	2
long solder terminal (L = 8.5 mm)	3
PCB-terminal (standard)	4
Blade terminal (4.8 x 0.8 mm)	8
Blade terminal (6.3 x 0.8 mm)	9
screw terminal	A

Symbols similar as in table A

6170 - H - A B **C** 0 - D - E = Terminals

Terminal Ground	Configuration key
short solder terminal (L = 4.8 mm)	2
long solder terminal (L = 8.5 mm)	3
PCB-terminal (standard)	4
Blade terminal (4.8 x 0.8 mm)	8
Blade terminal (6.3 x 0.8 mm)	9
screw terminal	A

Symbols similar as in table A

6170 - H - A B C 0 - **D** - E = Color

Color	Configuration key
Black	A
Grey	C

6170 - H - A B C 0 - D - **E** = Style

Style	Configuration key
insert type	5

### Variants

Config. Code	Description	Order Number
6170-X-2220-A-5	6170, IEC Appliance Inlet C14, 70°C, version: 1, L: short solder terminal (L = 4.8 mm), N: short solder terminal (L = 4.8 mm), ground: short solder terminal (L = 4.8 mm), color: Black, design: insert type, dimension X: , features:	6162.0084
6170-X-4440-A-5	6170, IEC Appliance Inlet C14, 70°C, version: 1, L: PCB-terminal (standard), N: PCB-terminal (standard), ground: PCB-terminal (standard), color: Black, design: insert type, dimension X: , features:	6162.0087

The listed variants should be available from stock. Other versions on request [www.schurter.com/contact](http://www.schurter.com/contact)

### Packaging unit

50 Pcs

Mating Outlets/Connectors

Category / Description

[Appliance Outlet Overview complete](#)



IEC Appliance Outlet F, Screw-on Mounting, Front Side, Solder Terminal	4787
IEC Appliance Outlet F, Snap-in Mounting, Front Side, Solder or Quick-connect Terminal	4788
IEC Appliance Outlet F or H, Screw-on Mounting, Front Side, Solder, PCB or Quick-connect Terminal	5091
IEC Appliance Outlet F or H, Screw-on Mounting, Front Side, Solder or Quick-connect Terminal	5092

[Appliance Outlet further types to 6170](#)

[Connector Overview complete](#)



IEC Connector C15, Rewireable, Straight	0101
IEC Connector C15A, Rewireable, Straight	0102
IEC Connector C15A, Rewireable, Straight	0102-G
IEC Connector C15A, Rewireable, Angled	0112
IEC Connector C13, Rewireable, Angled	4012

[Connector further types to 6170](#)

...

[Power Cord Overview complete](#)



Power Cord with IEC Connector C13, Angled	0311
Power Cord with IEC Connector C13, Angled	3011
Power Cord with IEC Connector C13, Angled	3012
Power Cord with IEC Connector C13, Angled	3013
Power Cord with IEC Connector C13	3020

[Power Cord further types to 6170](#)

...

PHASE