

Excellent Integrated System Limited

Stocking Distributor

Click to view price, real time Inventory, Delivery & Lifecycle Information:

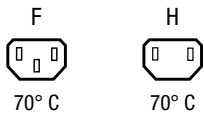
[Schurter](#)
[6182.0021](#)

For any questions, you can email us directly:
sales@integrated-circuit.com

IEC Appliance Outlet F or H, Snap-in Mounting, Front Side, Solder or Quick-connect Terminal



Snap-In Version



Description

- Panel Mount:
Snap-in version, from front side
- 1 Function:
- Connector, Pin temperature 70 °C, protection class I or II
- Solder terminals or quick connect terminals

Approvals

- VDE Certificate Number: 40010295
- UL File Number: E57445
- CSA File Number: 27324

References

We recommend for new applications the type 6600-4
Last order date: 31.12.2013

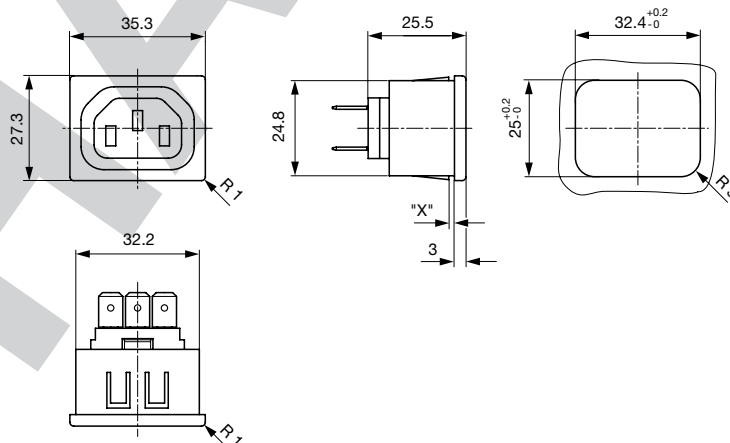
Weblinks

pdf-datasheet, html-datasheet, General Product Information, Approvals, CE declaration of conformity, RoHS, CHINA-RoHS, REACH, Mating Connectors, e-Shop, SCHURTER-Stock-Check, Distributor-Stock-Check, CAD-Drawings, Accessories, Detailed request for product

Technical Data

Ratings IEC	10A / 250VAC; 50Hz	Appliance Outlet	F acc. to IEC 60320
Ratings UL/CSA	15A / 250VAC; 60Hz		UL 498, CSA C22.2 no. 42 (for cold conditions) pin-temperature 70 °C, 10A, Protection Class I or II
Dielectric Strength	> 4 kVAC between L-N > 2 kVAC between L/N-PE (1 min/50Hz)		
Allowable Operation Temp.	-25 °C to 70 °C		
Degree of Protection	from front side IP 20 acc. to IEC 60529		
Protection Class	Suitable for appliances with protection class I or II acc. to IEC 61140		
Terminal	Solder terminals or quick connect terminals		
Panel Thickness s	Snap-in version 1/1.5/2/2.5/3 mm		
Material: Housing	PA6, black or grey, UL 94V-0		

Dimensions



Length of the terminal please find at the order code configuration table

Dimension "S" please ref. to table order code

Config. Code

5093 - H - A B C 0 - D - E G O

The characters are placeholders for the correspondingly keys of selections from the key tables.

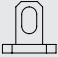
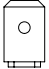
5093 - H - A B C 0 - D - E G O = Type

Type	Configuration key
protection class 2	B
protection class 1	X

5093 - H - A B C 0 - D - E G O = Style

Style	Configuration key
snap-in (s=panel thickness)	4

5093 - H - A B C 0 - D - E G O = Terminals

Terminal L	Configuration key
solder terminal 	1
Blade terminal (6.3 x 0.8 mm) 	9

5093 - H - A B C 0 - D - E G O = Mass S

Mass "s"	Configuration key
10	
15	
20	
25	
30	

The dimension "S" is displayed in ($1/_{10}$ mm). This information is also valid for the order code

5093 - H - A B C 0 - D - E G O = Terminals

Terminal N	Configuration key
solder terminal	1
Blade terminal (6.3 x 0.8 mm)	9

Symbols similar as in table A

5093 - H - A B C 0 - D - E G O = Features

Features	Configuration key
not used	0
dead cover	1
holder for 1 fuse (text legible, when inlet on top)	2
holder for 1 fuse (text legible, when inlet on bottom)	3
holder for 1 or 2 fuses (text legible, when inlet on top)	4
holder for 1 or 2 fuses (text legible, when inlet on bottom)	5
voltage selector with 1 fuse	6
voltage selector with 2 fuses	7
thermal circuit breaker for rated current 4A	A
thermal circuit breaker for rated current 6A	B
thermal circuit breaker for rated current 8A	C
thermal circuit breaker for rated current 10A	D
thermal circuit breaker for rated current 15A	E
thermal circuit breaker for rated current 20A	F

5093 - H - A B C 0 - D - E G O = Terminals

Terminal Ground	Configuration key
without terminal	0
solder terminal	1
Blade terminal (6.3 x 0.8 mm)	9

Symbols similar as in table A

5093 - H - A B C 0 - D - E G O = Color

Color	Configuration key
Black	A
Grey	B



All Variants

Config. Code	Description	Order Number
5093-X-1110-A-410	5093, IEC Appliance Outlet F, 70°C, version: I or II, L: solder terminal, N: solder terminal, ground: solder terminal, color: Black, design: snap-in (s=panel thickness), dimension S: 10	6182.0016
5093-X-1110-A-420	5093, IEC Appliance Outlet F, 70°C, version: I or II, L: solder terminal, N: solder terminal, ground: solder terminal, color: Black, design: snap-in (s=panel thickness), dimension S: 20	6182.0018
5093-X-9990-A-410	5093, IEC Appliance Outlet F, 70°C, version: I or II, L: Blade terminal (6.3 x 0.8 mm), N: Blade terminal (6.3 x 0.8 mm), ground: Blade terminal (6.3 x 0.8 mm), color: Black, design: snap-in (s=panel thickness), dimension S: 10	6182.0020
5093-X-9990-A-415	5093, IEC Appliance Outlet F, 70°C, version: I or II, L: Blade terminal (6.3 x 0.8 mm), N: Blade terminal (6.3 x 0.8 mm), ground: Blade terminal (6.3 x 0.8 mm), color: Black, design: snap-in (s=panel thickness), dimension S: 15	6182.0021
5093-X-9990-A-420	5093, IEC Appliance Outlet F, 70°C, version: I or II, L: Blade terminal (6.3 x 0.8 mm), N: Blade terminal (6.3 x 0.8 mm), ground: Blade terminal (6.3 x 0.8 mm), color: Black, design: snap-in (s=panel thickness), dimension S: 20	6182.0022
5093-X-9990-A-425	5093, IEC Appliance Outlet F, 70°C, version: I or II, L: Blade terminal (6.3 x 0.8 mm), N: Blade terminal (6.3 x 0.8 mm), ground: Blade terminal (6.3 x 0.8 mm), color: Black, design: snap-in (s=panel thickness), dimension S: 25	6182.0023
5093-X-9990-A-430	5093, IEC Appliance Outlet F, 70°C, version: I or II, L: Blade terminal (6.3 x 0.8 mm), N: Blade terminal (6.3 x 0.8 mm), ground: Blade terminal (6.3 x 0.8 mm), color: Black, design: snap-in (s=panel thickness), dimension S: 30	6182.0024
5093-X-9990-B-415	5093, IEC Appliance Outlet F, 70°C, version: I or II, L: Blade terminal (6.3 x 0.8 mm), N: Blade terminal (6.3 x 0.8 mm), ground: Blade terminal (6.3 x 0.8 mm), color: Grey, design: snap-in (s=panel thickness), dimension S: 15	6182.0025

The listet variants should be available from stock Other versions on request www.schurter.com/contact

Availability for all products can be searched real-time:<http://www.schurter.com/en/Stock-Check/Stock-Check-SCHURTER>

Packaging unit 50 Pcs

Mating Inlets/Plugs

Category / Description

[Plug Overview complete](#)



IEC Plug E, Cord Connector (Rewireable), Straight, max. cable Diameter 8.5 mm	4732
IEC Plug E, Cord Connector (Rewireable), Angled, max. Cable Diameter 8.5 mm	4733
IEC Plug E, Cord Connector (Rewireable), Straight, max. Cable Diameter 10 mm	4735
IEC Plug E, Cord Connector (Rewireable), Angled, max. Cable Diameter 10 mm	4736
IEC Plug E, Cord Connector (Rewireable), Straight	9009
Plug further types to 5093	...