

Excellent Integrated System Limited

Stocking Distributor

Click to view price, real time Inventory, Delivery & Lifecycle Information:

[Schurter](#)
[7091.1520](#)

For any questions, you can email us directly:
sales@integrated-circuit.com

Fuseholders

www.schurter.com/PG02

Shock-Safe Fuseholder, 5 x 20 mm, Fingergrasp, Rear-Side, NF, IP 40 / IP 67



250 VAC · 1.5W/6.3A (NF)



Description

- Screw type fuse carrier

Standards

- NF C 93-436 - Model HB01
- Contrôle de Conformité de Qualité (CCQ)

Weblinks

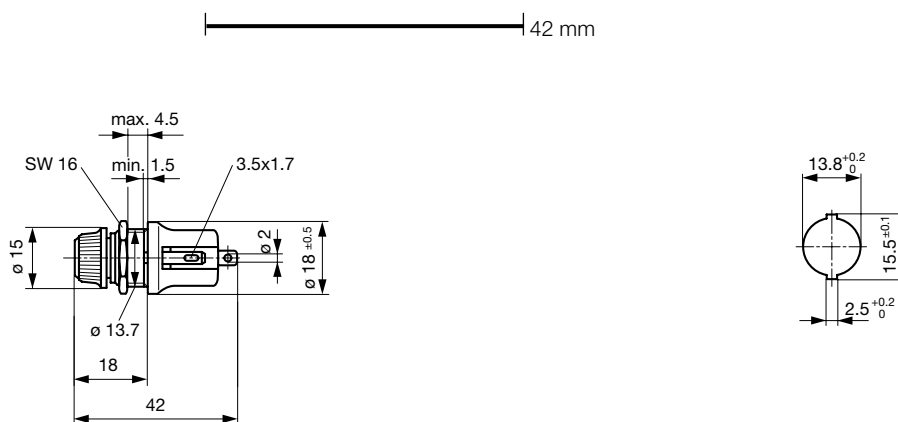
pdf-datasheet, html-datasheet, General Product Information, Approvals, CE declaration of conformity, RoHS, CHINA-RoHS, REACH, Distributor-Stock-Check, Detailed request for product

Technical Data

Fuse-Link	5 x 20 mm
Mounting	Panel Mount, Rear Side
Attachment	Fixing Nut
Terminal	Solder
Rated Voltage	250VAC
Rated current	6.3A (NF)
Rated Power Acceptance IEC	1.5W / 6.3A @ Ta 23°C
Degree of Protection	IP 40 / IP 67
Admissible Ambient Air Temp.	-40°C to 85°C
Climatic Category	40/085/21 acc. to IEC 60068-1
Material: Socket	Thermoset, black
Unit Weight	16 g
Storage Conditions	0°C to 60°C, max. 70% r.h.
Product Marking	Type, Rated Voltage, Rated current, HB1

Soldering Methods	Iron Soldering Profile
Contact Resistance	< mΩ at 20 mV
Resistance to Vibration	acc. to NF C 20-706 / IEC 60068-2-6, test Fc
Shocks	acc. to NF C 20-706 / IEC 60068-2-27
Bumps	acc. to NF C 20-729 / IEC 60068-2-29
Salt Mist	acc. to NF C 20-711 / IEC 60068-2-11
Dump Heat	acc. to NF C 20-604
Climatic Composite	acc. to NF C 20-619 Phases D and F
Admissible Torque on Fixing Nut	max 1.0Nm
Panel Thickness s	max 4.5 mm

Dimension



Mounting holes

All Variants

Holder	Cap	Degree of Protection	GAM T1 NNO	Reference	Order Number
●	Fingergrasp	IP 40	●	23316P	7091.1510
●	Fingergrasp	IP 67		23316ERJJP	7091.1520

Most Popular.

23316P

Fuseholders
www.schurter.com/PG02

Packaging Unit Bulk (10 pcs.)
