

Excellent Integrated System Limited

Stocking Distributor

Click to view price, real time Inventory, Delivery & Lifecycle Information:

[Bel Fuse Inc.](#)
[08B0-1X4T-03-F](#)

For any questions, you can email us directly:
sales@integrated-circuit.com



THE INFORMATION CONTAINED HEREIN IS CONSIDERED "PROPRIETARY" TO BEL FUSE INC. AND SHALL NOT BE COPIED, REPRODUCED OR DISCLOSED WITHOUT THE WRITTEN APPROVAL OF BEL FUSE INC.

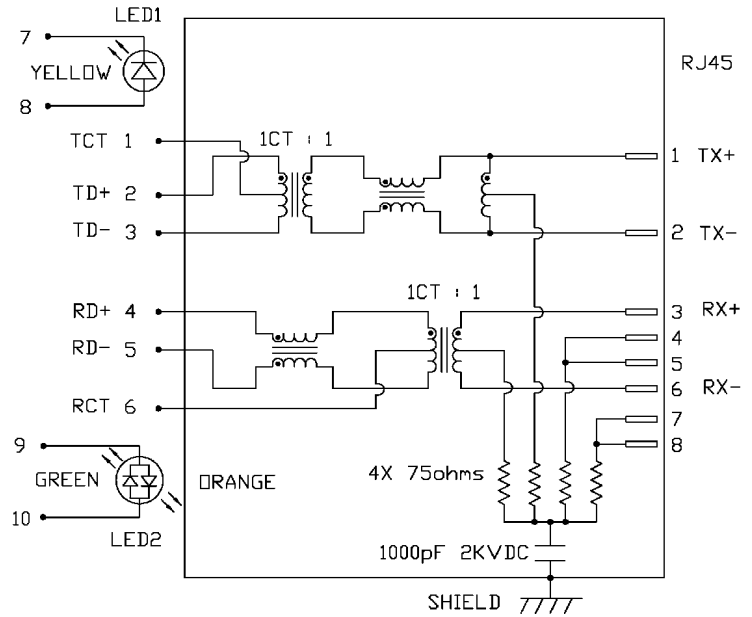
LED1 POLARITY			LED2 POLARITY		
PIN 7	PIN 8	COLOR	PIN 9	PIN 10	COLOR
-	+	YELLOW	+	-	ORANGE
/	/	/	-	+	GREEN

ELECTRICAL CHARACTERISTICS @ 25°C

URNS RATIO

TX	1CT : 1
RX	1CT : 1
DCL @ 100kHz/100mVRMS	350µH MIN.
8mA DC BIAS	
INS. LOSS	
1MHz TO 100MHz	-1.0 dB MAX
RET. LOSS (MIN)	
1MHz-30MHz	-18 dB
30MHz-60MHz	-18+20LOG(F/30MHz) dB
60MHz-80MHz	-12 dB
CROSS TALK (TX - RX)	
500kHz - 100 MHz	-35 dB MIN
CM TO CM REJ	
100kHz - 100 MHz	-30 dB MIN
CM TO DM REJ	
100kHz - 100 MHz	-40 dB MIN
HIPOT (Isolation Voltage):	1500 Vrms

SCHEMATIC



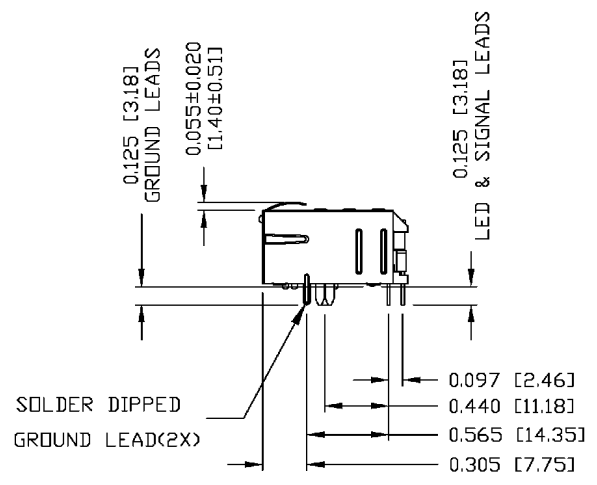
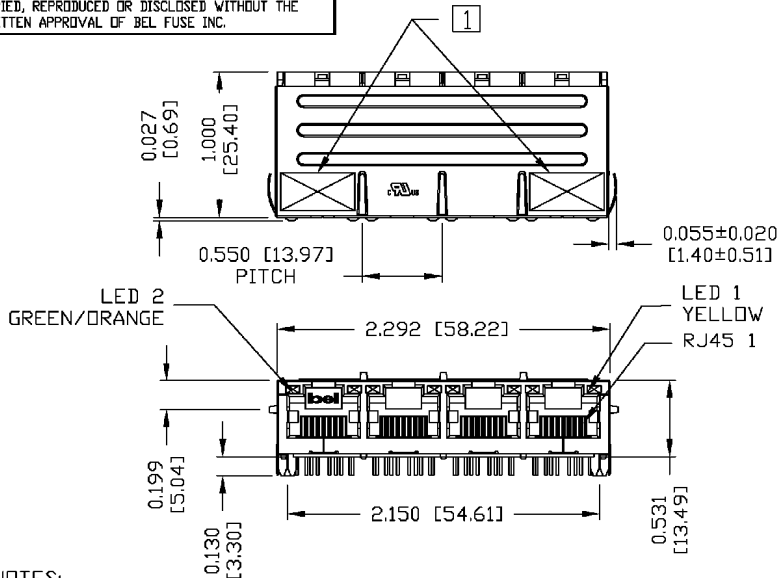
LED 1			
VF (FORWARD VOLTAGE)	IF=20mA	YELLOW	2.1V TYP.
λD (DOMINANT WAVELENGTH)	IF=20mA	YELLOW	590nm TYP.
LED 2			
VF (FORWARD VOLTAGE)	IF=20mA	GREEN	2.2V TYP.
λD (DOMINANT WAVELENGTH)	IF=20mA	GREEN	565nm TYP.
VF (FORWARD VOLTAGE)	IF=20mA	ORANGE	2.0V TYP.
λD (DOMINANT WAVELENGTH)	IF=20mA	ORANGE	610nm TYP.

ORIGINATED BY	DATE	TITLE	PART NO. / DRAWING NO.	STANDARD DIM. TOL. IN INCH	[] METRIC DIM. AS REFERENCE
CHUNG	11-19-05	MagJack® (CM Termination)	08B01X4T03-F	.X .XX .XXX	UNIT : INCH [mm] REV. : A
DRAWN BY	DATE	08B0-1X4T-03-F	FILE NAME		SCALE : N/A SIZE : A4
DE	11-19-05		08B01X4T03-FA.DWG		PAGE : 2





THE INFORMATION CONTAINED HEREIN IS CONSIDERED "PROPRIETARY" TO BEL FUSE INC. AND SHALL NOT BE COPIED, REPRODUCED OR DISCLOSED WITHOUT THE WRITTEN APPROVAL OF BEL FUSE INC.



NOTES:
 PLASTIC HOUSING: THERMOPLASTIC PBT
 FLAMMABILITY RATING UL 94V-0
 CONTACTS PLATING: 15 MICRO-INCH HARD GOLD PLATING
 PINS: TIN-COATED COPPER WIRE, DIA 0.018 INCH.
 METAL SHIELD: NICKEL PLATED COPPER ALLOY.
 (ALL GROUND LEADS ARE SOLDER DIPPED)

1. MARK PART WITH MFG LOGO, MFG NAME, PART NUMBER, AND DATE CODE.

UL US UL RECOGNIZED - FILE #E196366 AND E169987.
 RoHS COMPLIANT, PER EU DIRECTIVE 2002/95/EC

ORIGINATED BY	DATE	TITLE	PART NO. / DRAWING NO.	STANDARD DIM. TOL. IN INCH	[] METRIC DIM. AS REFERENCE
BILL	11-19-05	MagJack® (CM Termination) 08B0-1X4T-03-F	08B01X4T03-F	.X	UNIT : INCH [mm] REV. : A
DRAWN BY	DATE		FILE NAME	.XX	SCALE : N/A SIZE : A4
QIN	11-19-05		08B01X4T03-FA.DWG	.XXX ±0.010	PAGE : 3

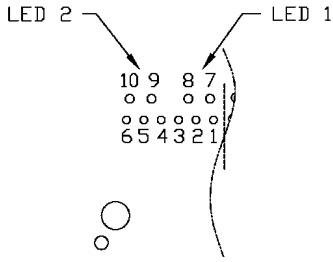


DC002(2)032305

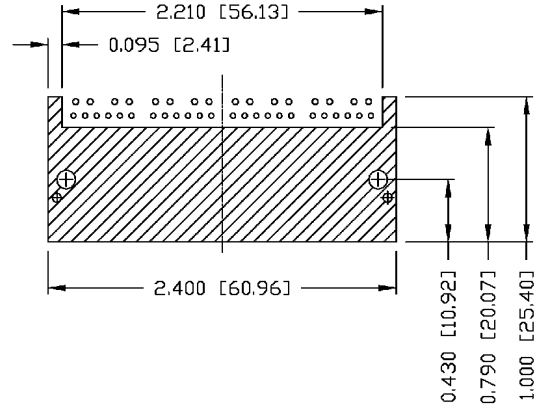
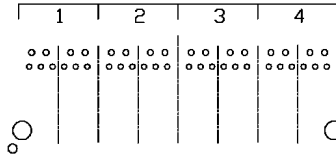
This document is electronically generated. This is a controlled copy if used internally



THE INFORMATION CONTAINED HEREIN IS CONSIDERED "PROPRIETARY" TO BEL FUSE INC. AND SHALL NOT BE COPIED, REPRODUCED OR DISCLOSED WITHOUT THE WRITTEN APPROVAL OF BEL FUSE INC.



RECOMMENDED PCB FOOTPRINT
 COMPONENT SIDE VIEW



PIN ASSIGNMENT - EACH PORT
 COMPONENT SIDE VIEW

6	RCT
5	RD -
4	RD +
3	TD -
2	TD +
1	TCT

THE SHADED AREA ON THE CUSTOMER BOARD ARE RECOMMENDED TO BE CLEAR OFF ANY VIA HOLE OR COMPONENT PAD.

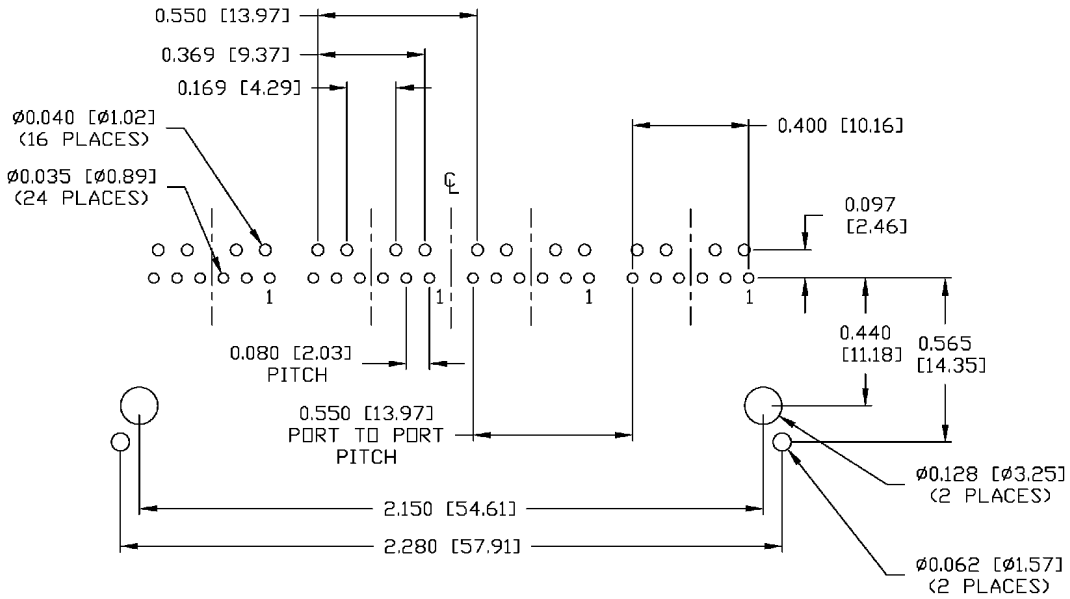
ORIGINATED BY	DATE	TITLE	PART NO. / DRAWING NO.	STANDARD DIM. TOL. IN INCH	[] METRIC DIM. AS REFERENCE	 COMPONENTS ARE CONNECTED PLANET	
BILL	11-19-05	MagJack® (CM Termination) 08B0-1X4T-03-F	08B01X4T03-F	.X	UNIT : INCH [mm]		REV. : A
DRAWN BY	DATE		FILE NAME	.XX	SCALE : N/A		SIZE : A4
QIN	11-19-05		08B01X4T03-FA.DWG	.XXX	±0.004	PAGE : 4	



THE INFORMATION CONTAINED HEREIN IS CONSIDERED 'PROPRIETARY' TO BEL FUSE INC. AND SHALL NOT BE COPIED, REPRODUCED OR DISCLOSED WITHOUT THE WRITTEN APPROVAL OF BEL FUSE INC.

RECOMMENDED PCB FOOTPRINT

COMPONENT SIDE VIEW



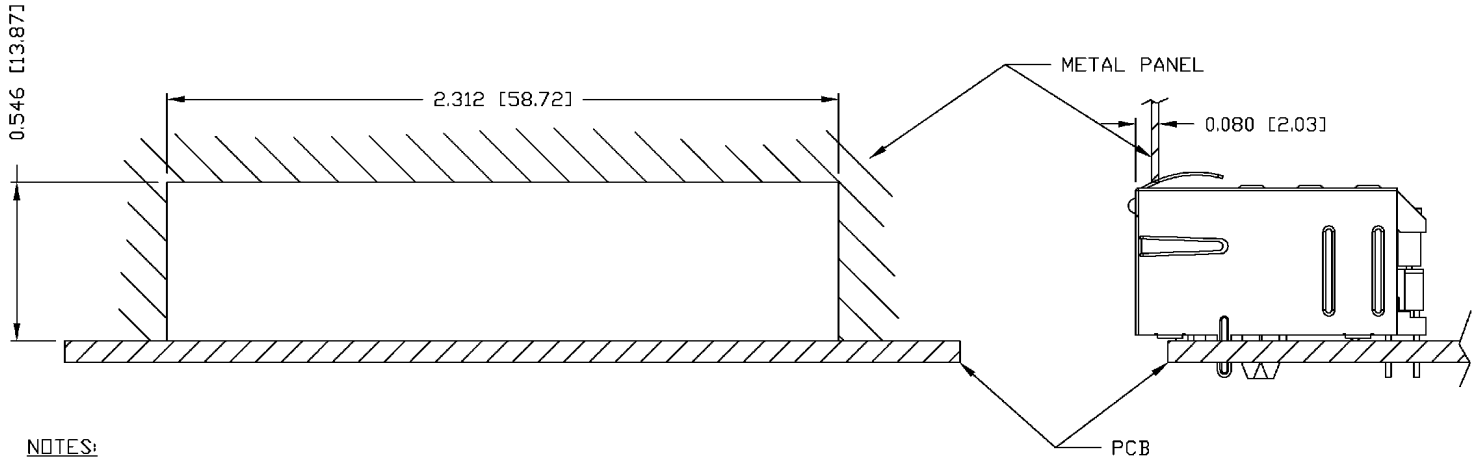
ORIGINATED BY	DATE	TITLE	PART NO. / DRAWING NO.	STANDARD DIM. TOL. IN INCH	[] METRIC DIM. AS REFERENCE	
BILL	11-19-05	MagJack® (CM Termination) 08B0-1X4T-03-F	08B01X4T03-F	.X	UNIT : INCH [mm]	REV. : A
DRAWN BY	DATE		FILE NAME	.XX	SCALE : N/A	SIZE : A4
QIN	11-19-05		08B01X4T03-FA.DWG	.XXX ±0.004		PAGE : 5





THE INFORMATION CONTAINED HEREIN IS CONSIDERED "PROPRIETARY" TO BEL FUSE INC. AND SHALL NOT BE COPIED, REPRODUCED OR DISCLOSED WITHOUT THE WRITTEN APPROVAL OF BEL FUSE INC.

SUGGESTED PANEL OPENING



NOTES:

THE DISTANCE OF PANEL INSIDE SURFACE RELATIVE TO FRONT SURFACE OF PART IS ONLY A SUGGESTION. IN CASE THIS DISTANCE IS DIFFERENT, THE REQUIRED PANEL OPENING DIMENSIONS CHANGE ACCORDINGLY.

PACKING INFORMATION

PACKING TRAY : 0200-0148-17

PACKING QUANTITY : 30 PCS FINISHED GOODS PER TRAY.

10 TRAYS (300 PCS FINISHED GOODS) PER CARTON BOX.

NOTE : CARDBOARDS ARE PLACED BETWEEN LAYERS OF PACKING TRAY INSIDE CARTON BOX.

(INCLUDE THE UPPERMOST AND LOWERMOST TRAY)

ORIGINATED BY	DATE	TITLE	PART NO. / DRAWING NO.	STANDARD DIM. TOL. IN INCH	[] METRIC DIM. AS REFERENCE	 COMPONENTS OF A CONNECTED PLANET	
BILL	11-19-05	MagJack® (CM Termination) 08B0-1X4T-03-F	08B01X4T03-F	.X	UNIT : INCH [mm]		REV. : A
DRAWN BY	DATE		FILE NAME	.XX	SCALE : N/A		SIZE : A4
QIN	11-19-05		08B01X4T03-FA.DWG	.XXX ±0.004		PAGE : 6	

DC002(2)092305

This document is electronically generated. This is a controlled copy if used internally