

Excellent Integrated System Limited

Stocking Distributor

Click to view price, real time Inventory, Delivery & Lifecycle Information:

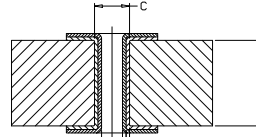
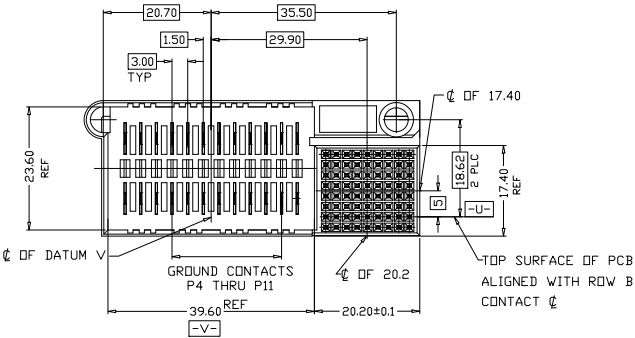
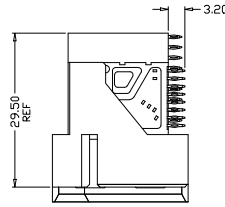
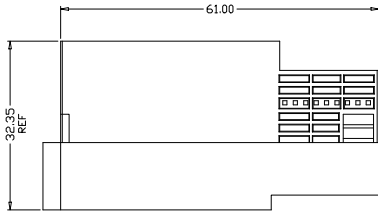
[3M](#)
[1P01-1110-AS](#)

For any questions, you can email us directly:
sales@integrated-circuit.com

3M™ RIGHT ANGLE SOCKET AND POWER MALE MODULE FOR MicroTCA APPLICATIONS

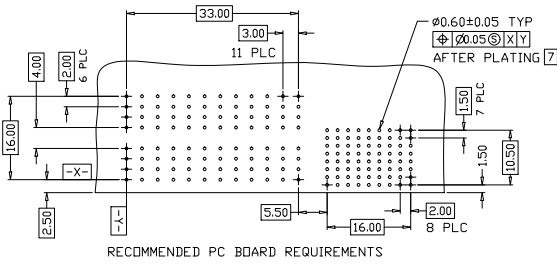
NOTES:

1. MATERIALS
 - A. HOUSING: THERMOPLASTIC POLYESTER, GLASS FILLED RATED UL 94V-0, COLOR: GRAY
 - B. CONTACT: COPPER ALLOY, GOLD PLATING
2. PLATING
 - AS: FINISH MATING AREA- 0.76um Au COMPLIANT PIN AREA-1.27um MIN MATTE Sn 1.27um MIN Ni ALL OVER
3. RATINGS:
 - A. VOLTAGE(EST VOLTAGE): 80V r.m.s.
 - B. CURRENT RATING: SIGNAL AND SIGNAL GND CONDUCTOR 0.625A/PIN PWR BRANCH GND CONDUCTOR 11.625 A/PIN
 - C. MAXIMUM LINE RESISTANCES: SIGNAL AND SIGNAL GND CONDUCTOR 25 MILLI OHMS PWR BRANCH GND CONDUCTOR 5 MILLI OHMS
4. ENGAGING FORCE: 145N MAX; SEPARATING FORCE: 110N MAX.
5. DURABILITY: 200 MATING CYCLES
6. FOR PRODUCT SPECIFICATION AND WARRANTY INFORMATION SEE 78-5102-00B4-9
7. PCB HOLE DIMENSIONS
8. SEE THE REGULATORY INFORMATION APPENDIX (RIA) IN THE "RoHS COMPLIANCE" SECTION OF: WWW.3MCONNECTOR.COM FOR COMPLIANCE INFORMATION (RIA E1 & C1 APPLY).
9. REFERENCE DOCUMENT 78-9101-3345-9
10. IN THE EVENT OF CONFLICT BETWEEN THIS DATA AND THAT CONTAINED IN THE PRODUCT SPEC., THE PRODUCT SPEC. TAKES PRECEDENT.
11. PART NUMBER: 1P01-1110-AS
12. FOR MATING PRODUCT USE: 1P02-11X0-XX MicroTCA BACKPLANE HEADER AND POWER FEMALE MODULE



PLATED THROUGH-HOLE CROSS SECTION (NOT TO SCALE)

HOLE PLATING TABLE		Dimension
A	PCB Thickness	Min. 1.4mm
B	Plated Through Hole Dia.	0.60 +/- 0.05mm
C	Drill Hole Diameter	0.70 +/- 0.02mm
D	Cu Thickness	Min. 25µm
E	Plating Thickness	Min. 0.5µm Immersion Sn



DESIGN REFERENCE	NEXT ASSEMBLY	B REV ECC	33179	REMOVED-1M PLATING AND 2.25mm CONTACT OPTIONS	ML TS
DISTRIBUTION CODES		DRY	ML	ISSUE DATE AND DESCRIPTION	DRFT CHWD
		DRY	ML	DATE 10/05/10	DATE
		DRY	ML	DATE 10/05/10	DATE
DIVISION	DIVISION CODE	This document is the copyrighted property of the 3M Company and may not be reproduced without 3M written permission or used for other than 3M authorized purposes.			
DO NOT SCALE DRAWING	SCALE	TOLERANCES EXCEPT AS NOTED	INCHES 0.00 ± 0.005 0.005 ± 0.0005 0.0005 ± 0.0002		
THIRD ANGLE PROJECTION	INTERPRET PER ASME Y14.5 - 1994	MILLIMETERS	0 ± 0.1 0.1 ± 0.2 0.2 ± 0.100		
MAX SURFACE ROUGHNESS	<input type="checkbox"/> ALL SURFACES <input checked="" type="checkbox"/> MARKED ONLY	ANGLES ± 1°	CAGE NUMBER	DRAWING NO. 78-5100-2367-0	REV. B
			MODEL	DEF. LISTS <input type="checkbox"/> YES <input type="checkbox"/> NO SHT 1 OF 1	