

Excellent Integrated System Limited

Stocking Distributor

Click to view price, real time Inventory, Delivery & Lifecycle Information:

[Apem Inc.](#)
[100650](#)

For any questions, you can email us directly:

sales@integrated-circuit.com

IPD Ultima

Premium USB desktop controllers

Distinctive features and specifications

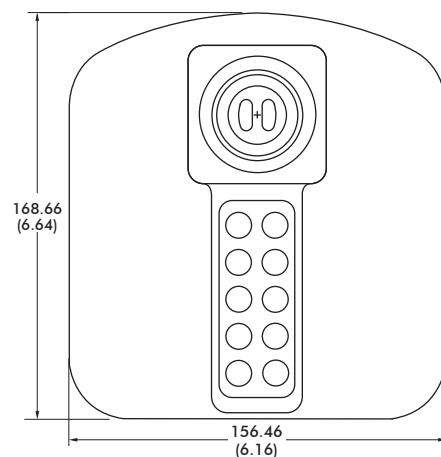
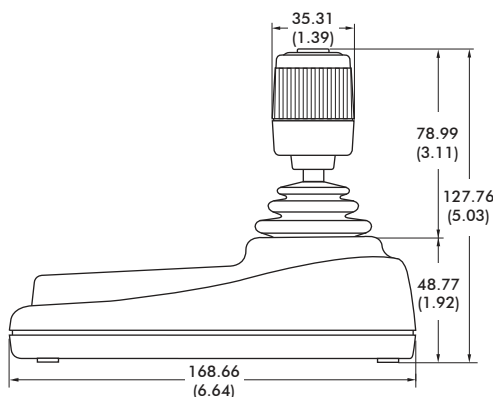


- 3 axis joystick for PTZ control
- LED pushbutton switches
- USB 1.1 HID compliant “game controller”
- Soft touch Business Blue coating

- Joystick performance:
 - Hall effect three axis joystick
 - X/Y/Z for positioning control
- Joystick travel:
 - 36° for X and Y axis
 - 60° for Z axis
- Centering: Single spring, omni-directional
- Joystick shaft: Stainless steel
- Joystick boot: Neoprene
- Joystick handle: Glass filled nylon
- Pushbutton performance:
 - 10 vibrant, high efficiency back lit LED pushbuttons rated for 10,000,000 life cycles
 - Two tactile pushbuttons on joystick rated for 3,000,000 life cycles
- Desktop housing:
 - High impact ABS
 - Soft touch Business Blue coating
- Power:
 - Via USB interface (5V DC)
 - Consumption 300mA

- Operating conditions: -25° to +85° C (-13 to +185° F)
- Approvals:
 - EN 55024:1998, EN 55022, CE
 - FCC Part 15 Subpart B Class B
 - RoHs compliant
- Weight: 455 g (1.00lb)
- Interface: USB port
- Connectors:
 - USB Type A Male
 - Cable Length: 2m; 6ft. 6.8in.
- Systems support integration: Windows 7, Vista, XP, 2000, Windows 8, OSX, Linux
- Supported protocols:
 - USB HID 1.1 game controller
 - Direct X (Gaming Control)
 - Joystick: Three HID axis
 - Pushbuttons: 12 HID buttons
 - Uses standard DirectX HID drivers
 - Connects directly to workstation PC
- Environmental: For indoor use only

NOTE: All values are nominal.



NOTES:

Dimensions are in mm/(inch).

To order the IP Desktop please refer to Part Number 100-650.