

## **Excellent Integrated System Limited**

Stocking Distributor

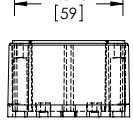
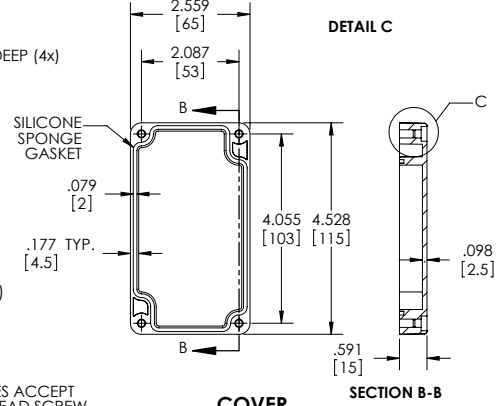
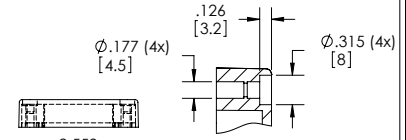
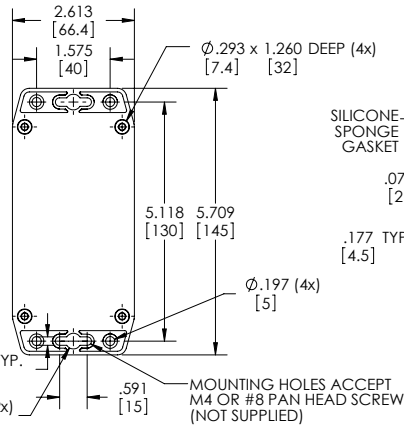
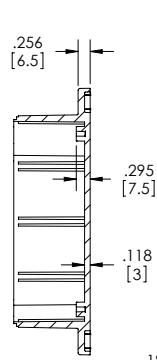
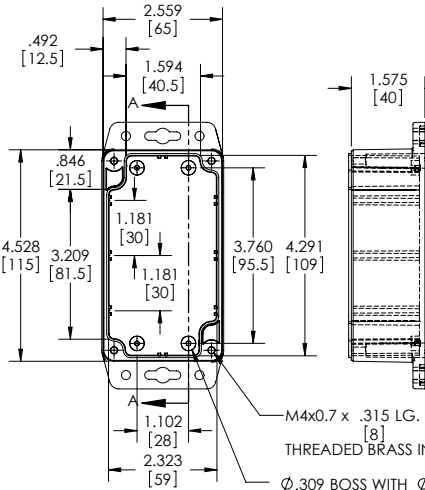
Click to view price, real time Inventory, Delivery & Lifecycle Information:

[BUD Industries, Inc.](#)  
[PN-1322-MB](#)

For any questions, you can email us directly:  
[sales@integrated-circuit.com](mailto:sales@integrated-circuit.com)

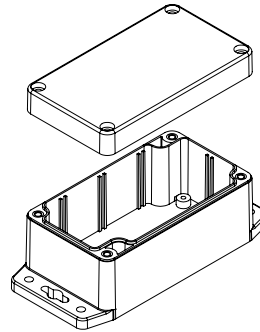
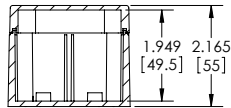
PART NAME	NEMA 4X PLASTIC BOX w/EXTERNAL MTG. BRKT.	PART No.	PN-1322-MB	PN-1322-CMB	PN-1322-DGMB	REVISION DATE	5-26-11
-----------	-------------------------------------------	----------	------------	-------------	--------------	---------------	---------

**MATERIAL & FINISH:**  
 (-MB SUFFIX PART NO.) POLYCARBONATE UL94-HB, UV STABILIZED, SERVICE TEMPERATURE RANGE: -40°C TO +120°C, LIGHT GRAY BODY & COVER.  
 (-CMB SUFFIX PART NO.) SAME AS -MB EXCEPT CLEAR COVER.  
 (-DGMB SUFFIX PART NO.) ABS UL94-HB, SERVICE TEMPERATURE RANGE: -40°C TO +80°C, DARK GRAY BODY & COVER.



M4x0.7 x .315 LG. THREADED BRASS INSERT (4x) [8]  
 MOUNTING BOSSES ACCEPT M3 x 4mm LG. OR #4 x 3/16" LG. SELF-TAPPING SCREWS (NOT SUPPLIED)

**BODY**



- NOTES:**
- 1.) FOUR (4) M4x0.7 x 20mm (.787") LG. STAINLESS STEEL SCREWS SUPPLIED FOR ASSEMBLY OF COVER TO BODY.
  - 2.) BOXES DESIGNED TO MEET FOLLOWING STANDARDS: NEMA 1, 2, 4, 4X, 12, 13 AND IEC529-IP65 REQUIREMENTS.
  - 3.) ALL HOLE DIAMETERS HAVE  $\pm .005$ [.12] TOLERANCE. ALL OTHER DIMENSIONS HAVE  $\pm .015$ [.38] TOLERANCE.
  - 4.) ALL OUTSIDE DRAFT ANGLE: 1° ALL INSIDE DRAFT ANGLE: 1/2°

