

## Excellent Integrated System Limited

Stocking Distributor

Click to view price, real time Inventory, Delivery & Lifecycle Information:

[Phoenix Contact](#)  
[1725669](#)

For any questions, you can email us directly:

[sales@integrated-circuit.com](mailto:sales@integrated-circuit.com)



Extract from the online catalog

## MPT 0,5/ 3-2,54

Order No.: 1725669

The figure shows a 10-position version of the product



<http://eshop.phoenixcontact.de/phoenix/treeViewClick.do?UID=1725669>

PC terminal block, Nominal current: 6 A, Nom. voltage: 63 V, Pitch: 2.54 mm, Number of positions: 3, Type of connection: Screw connection, Assembly: Soldering, Conductor/PCB connection direction: 0 °, Color: green

Commercial data	
EAN	4017918116262
Pack	50 pcs.
Customs tariff	85369010
Weight/Piece	0.000994 KG
Catalog page information	Page 51 (CC-2009)

### Product notes

WEEE/RoHS-compliant since:  
01/01/2003



<http://www.download.phoenixcontact.com>  
Please note that the data given here has been taken from the online catalog. For comprehensive information and data, please refer to the user documentation. The General Terms and Conditions of Use apply to Internet downloads.

### Technical data

Dimensions / positions	
Length	6.2 mm
Pitch	2.54 mm
Dimension a	5.08 mm

MPT 0,5/ 3-2,54 Order No.: 1725669

<http://eshop.phoenixcontact.de/phoenix/treeViewClick.do?UID=1725669>

Number of positions	3
Pin dimensions	0,5 x 0,9 mm
Hole diameter	1.1 mm
Screw thread	M1,6
Tightening torque, min	0.12 Nm
Tightening torque max	0.15 Nm

**Technical data**

Insulating material group	I
Rated surge voltage (III/3)	1.5 kV
Rated surge voltage (III/2)	1.5 kV
Rated surge voltage (II/2)	2.5 kV
Rated voltage (III/2)	160 V
Rated voltage (II/2)	320 V
Connection in acc. with standard	EN-VDE
Nominal current $I_N$	6 A
Nominal voltage $U_N$	63 V
Nominal cross section	0.5 mm <sup>2</sup>
Maximum load current	6 A
Insulating material	PA
Inflammability class acc. to UL 94	V0
Stripping length	4.5 mm

**Connection data**

Conductor cross section solid min.	0.14 mm <sup>2</sup>
Conductor cross section solid max.	0.5 mm <sup>2</sup>
Conductor cross section stranded min.	0.14 mm <sup>2</sup>
Conductor cross section stranded max.	0.5 mm <sup>2</sup>
Conductor cross section stranded, with ferrule without plastic sleeve min.	0.25 mm <sup>2</sup>
Conductor cross section stranded, with ferrule without plastic sleeve max.	0.34 mm <sup>2</sup>
Conductor cross section stranded, with ferrule with plastic sleeve min.	0.25 mm <sup>2</sup>
Conductor cross section stranded, with ferrule with plastic sleeve max.	0.34 mm <sup>2</sup>
Conductor cross section AWG/kcmil min.	26
Conductor cross section AWG/kcmil max	20

MPT 0,5/ 3-2,54 Order No.: 1725669

<http://eshop.phoenixcontact.de/phoenix/treeViewClick.do?UID=1725669>

2 conductors with same cross section, solid min.	0.14 mm <sup>2</sup>
2 conductors with same cross section, solid max.	0.34 mm <sup>2</sup>
2 conductors with same cross section, stranded min.	0.14 mm <sup>2</sup>
2 conductors with same cross section, stranded max.	0.34 mm <sup>2</sup>

**Certificates / Approvals**



Certification CSA, CUL, UL

**CSA**

Nominal voltage U <sub>N</sub>	125 V
Nominal current I <sub>N</sub>	6 A
AWG/kcmil	28-20

**CUL**

Nominal voltage U <sub>N</sub>	125 V
Nominal current I <sub>N</sub>	6 A
AWG/kcmil	30-20

**UL**

Nominal voltage U <sub>N</sub>	125 V
Nominal current I <sub>N</sub>	6 A
AWG/kcmil	30-20

**Accessories**

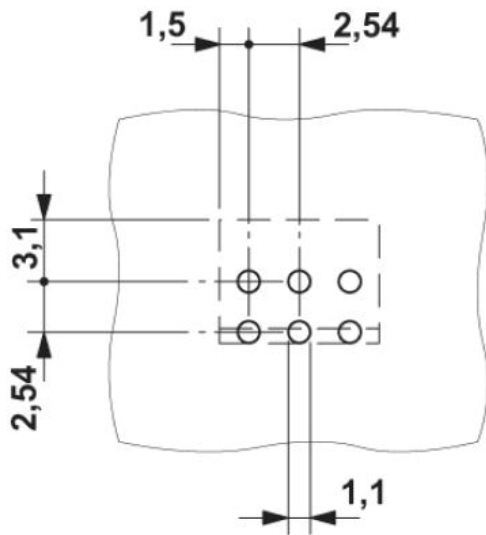
Item	Designation	Description
<b>Marking</b>		
0804853	SK 2,54/2,8:FORTL.ZAHLEN	Marker card, printed horizontally, self-adhesive, 10-section marker strip, 14 identical decades marked 1-10, 11-20 etc. up to 91-100, sufficient for 140 terminal blocks
<b>Tools</b>		
1205202	SZS 0,4X2,0	Screwdriver, bladed, matches all screw terminal blocks up to 1.5 mm <sup>2</sup> connection cross section, blade width: 2.5 mm, without approvals

MPT 0,5/ 3-2,54 Order No.: 1725669

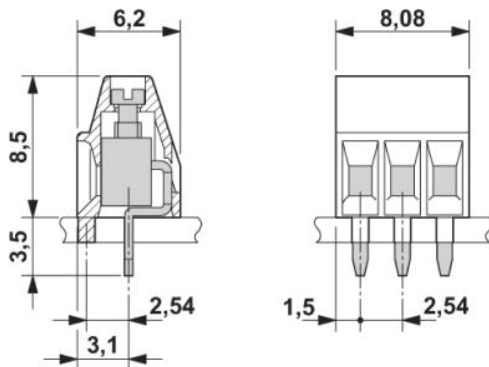
<http://eshop.phoenixcontact.de/phoenix/treeViewClick.do?UID=1725669>

## Diagrams/Drawings

Drilling plan/solder pad geometry



Dimensioned drawing



MPT 0,5/ 3-2,54 Order No.: 1725669

<http://eshop.phoenixcontact.de/phoenix/treeViewClick.do?UID=1725669>

---

#### Address

PHOENIX CONTACT Deutschland GmbH  
Flachsmarktstr. 8  
32825 Blomberg, Germany  
Phone +49 5235 3 12000  
Fax +49 5235 3 41200  
<http://www.phoenixcontact.de>



© 2010 Phoenix Contact  
Technical modifications reserved;