

## Excellent Integrated System Limited

Stocking Distributor

Click to view price, real time Inventory, Delivery & Lifecycle Information:

[Phoenix Contact](#)  
[1706206](#)

For any questions, you can email us directly:

[sales@integrated-circuit.com](mailto:sales@integrated-circuit.com)

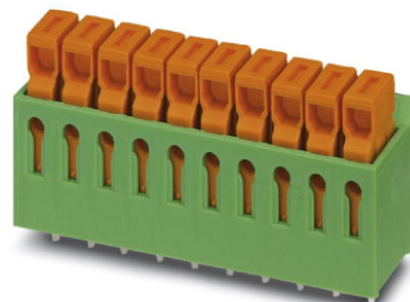


Extract from the online catalog

## IDC 0,3/ 5-3,81

Order No.: 1706206

The figure shows a 10-position version of the product



<http://eshop.phoenixcontact.de/phoenix/treeViewClick.do?UID=1706206>

PC terminal block, Nominal current: 5 A, Nom. voltage: 160 V, Pitch: 3.81 mm, Number of positions: 5, Type of connection: Insulation displacement connection QUICKON, Assembly: Soldering, Conductor/PCB connection direction: 0 °, Color: green

### Commercial data

EAN	4017918116705
Pack	50 pcs.
Customs tariff	85369010
Weight/Piece	0.003195 KG
Catalog page information	Page 121 (CC-2009)

### Product notes

WEEE/RoHS-compliant since:  
01/01/2003



<http://www.download.phoenixcontact.com>  
Please note that the data given here has been taken from the online catalog. For comprehensive information and data, please refer to the user documentation. The General Terms and Conditions of Use apply to Internet downloads.

### Technical data

#### Dimensions / positions

Length	10 mm
Pitch	3.81 mm
Dimension a	15.24 mm

IDC 0,3/ 5-3,81 Order No.: 1706206

<http://eshop.phoenixcontact.de/phoenix/treeViewClick.do?UID=1706206>

Number of positions	5
Pin dimensions	1 x 0,4 mm
Hole diameter	1.3 mm

**Technical data**

Insulating material group	I
Rated surge voltage (III/3)	2.5 kV
Rated surge voltage (III/2)	2.5 kV
Rated surge voltage (II/2)	2.5 kV
Rated voltage (III/2)	160 V
Rated voltage (II/2)	320 V
Connection in acc. with standard	EN-VDE
Nominal current $I_N$	5 A
Nominal voltage $U_N$	160 V
Nominal cross section	0.34 mm <sup>2</sup>
Maximum load current	5 A (with 0.34 mm <sup>2</sup> conductor cross section)
Insulating material	PA
Inflammability class acc. to UL 94	V0

**Connection data**

Conductor cross section solid min.	0.13 mm <sup>2</sup>
Conductor cross section solid max.	0.34 mm <sup>2</sup>
Conductor cross section stranded min.	0.22 mm <sup>2</sup>
Conductor cross section stranded max.	0.34 mm <sup>2</sup>
Conductor cross section AWG/kcmil min.	26
Conductor cross section AWG/kcmil max	22

**Certificates / Approvals**



Certification

CSA, CUL, GOST, UL

**CSA**

Nominal voltage $U_N$	300 V
Nominal current $I_N$	5 A
AWG/kcmil	28-22

IDC 0,3/ 5-3,81 Order No.: 1706206

<http://eshop.phoenixcontact.de/phoenix/treeViewClick.do?UID=1706206>

**CUL**

Nominal voltage $U_N$	300 V
Nominal current $I_N$	5 A
AWG/kcmil	28-22

**UL**

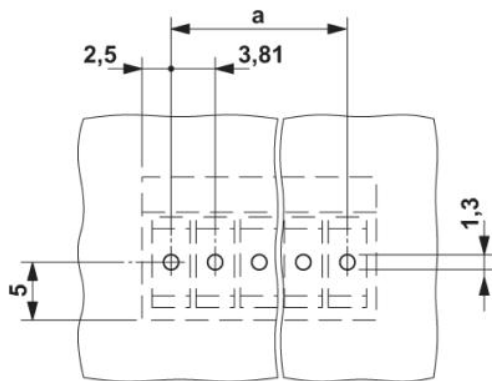
Nominal voltage $U_N$	300 V
Nominal current $I_N$	5 A
AWG/kcmil	28-22

**Accessories**

Item	Designation	Description
0804109	SK 3,81/2,8:FORTL.ZAHLEN	Marker card, printed horizontally, self-adhesive, 10-section marker strip, 14 identical decades marked 1-10, 11-20 etc. up to 91-(99)100, sufficient for 140 terminal blocks

**Diagrams/Drawings**

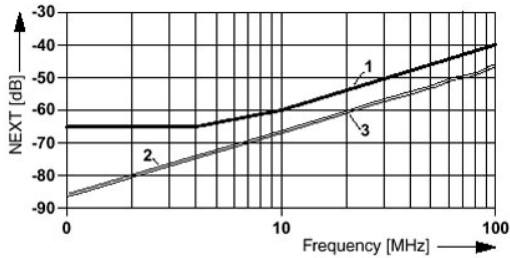
Drilling plan/solder pad geometry



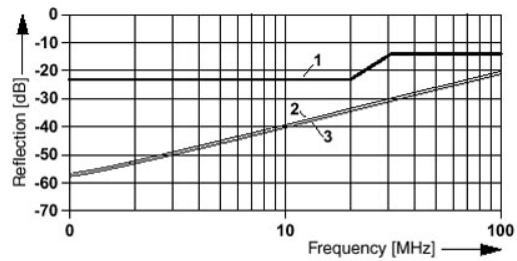
IDC 0,3/ 5-3,81 Order No.: 1706206

<http://eshop.phoenixcontact.de/phoenix/treeViewClick.do?UID=1706206>

Diagram

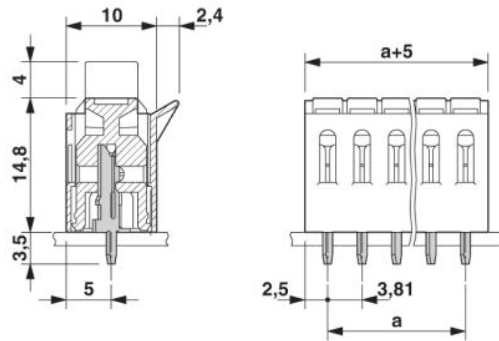


- 1 = Limit values acc. to EN 50173 for connection technology
- 2 = NEXT 12-36 on the soldering tag
- 3 = NEXT 12-36 on the contact terminal block



- 1 = Limit values acc. to EN 50173 for connection technology
- 2 = NEXT 12 on the soldering tag
- 3 = NEXT 36 on the soldering tag

Dimensioned drawing



IDC 0,3/ 5-3,81 Order No.: 1706206

<http://eshop.phoenixcontact.de/phoenix/treeViewClick.do?UID=1706206>

---

#### Address

PHOENIX CONTACT Deutschland GmbH  
Flachsmarktstr. 8  
32825 Blomberg, Germany  
Phone +49 5235 3 12000  
Fax +49 5235 3 41200  
<http://www.phoenixcontact.de>



© 2010 Phoenix Contact  
Technical modifications reserved;