

Excellent Integrated System Limited

Stocking Distributor

Click to view price, real time Inventory, Delivery & Lifecycle Information:

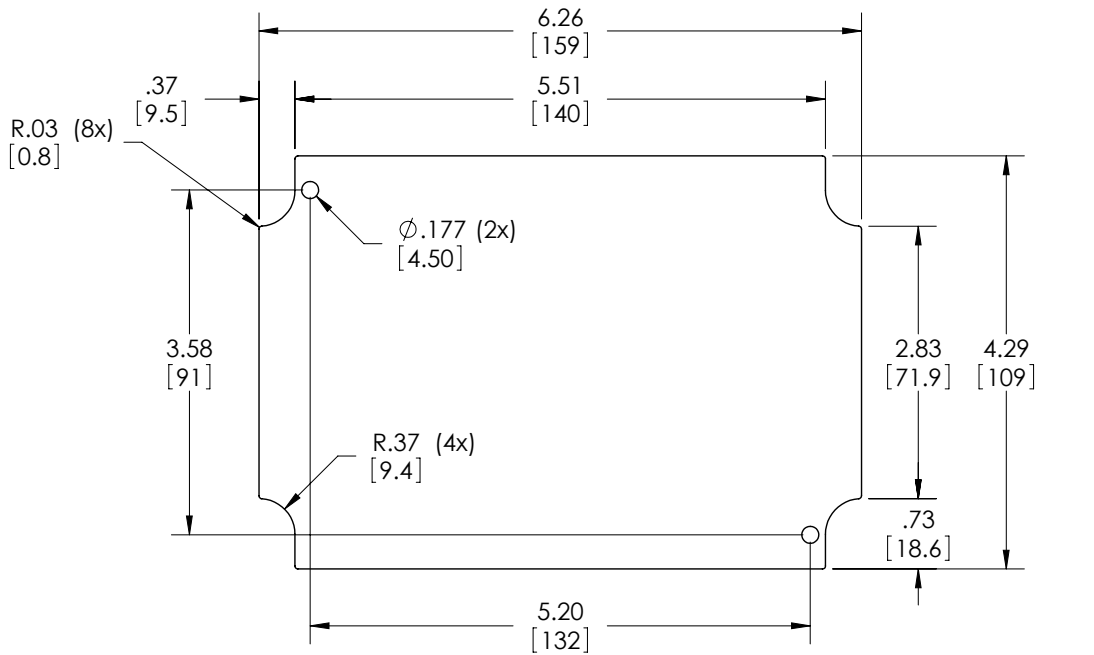
[BUD Industries, Inc.](#)

[PNX-91424](#)

For any questions, you can email us directly:

sales@integrated-circuit.com

PART NAME	INTERNAL PANEL	PART No.	PNX-91424	REV. DATE	5-11-11
-----------	----------------	----------	-----------	-----------	---------



MATERIAL - .060 [1.5mm] THK. ALUMINUM

FINISH - NATURAL

SUPPLIED WITH M3x0.5 x 6mm LG. MACHINE SCREWS (PAN HD., PHILLIPS DRIVE, STEEL, ZINC PLATED)
 FOR MOUNTING IN THE FOLLOWING ENCLOSURES:
 PN-1324, PN-1324-DG & PN-1324-C
 PN-1327, PN-1327-DG & PN-1327-C

SUPPLIED WITH M3 x 6mm LG. SELF-THREADING SCREWS (PAN HD., PHILLIPS DRIVE, STEEL, ZINC PLATED)
 FOR MOUNTING IN THE FOLLOWING ENCLOSURES:
 PN-1324-MB, PN-1324-DGMB & PN-1324-CMB
 PN-1327-MB, PN-1327-DGMB & PN-1327-CMB