



Distributor of Molex Connector Corporation: Excellent Integrated System Limited
Datasheet of 87340-1422 - Connector Receptacle 14 Position 0.079" (2.00mm) Gold Surface
Mount

Contact us: sales@integrated-circuit.com Website: www.integrated-circuit.com

Excellent Integrated System Limited

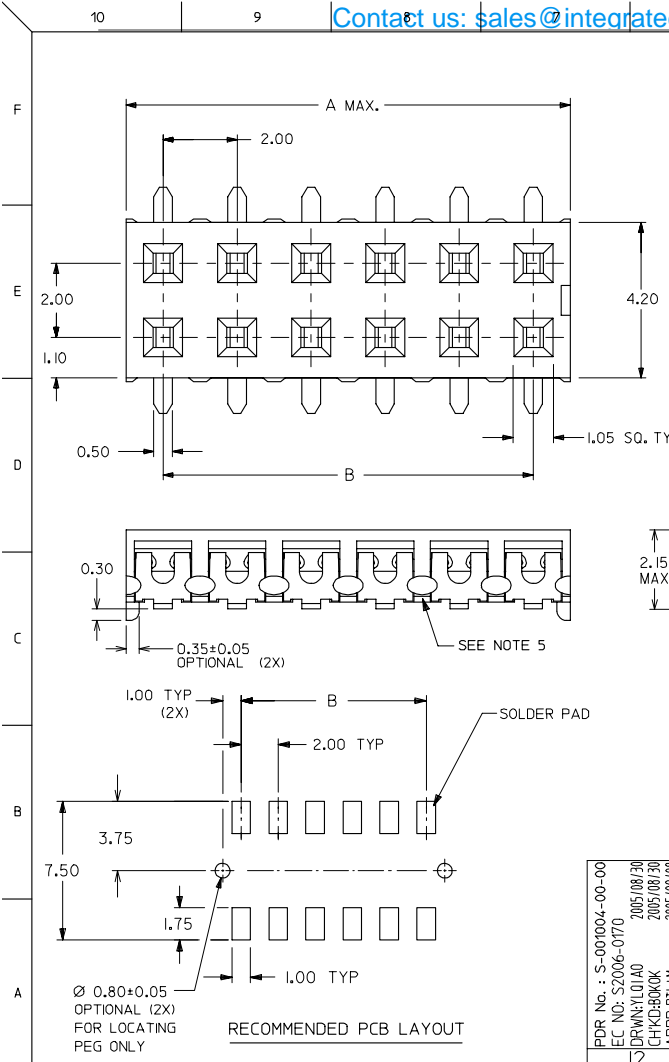
Stocking Distributor

Click to view price, real time Inventory, Delivery & Lifecycle Information:

[Molex Connector Corporation](#)
[87340-1422](#)

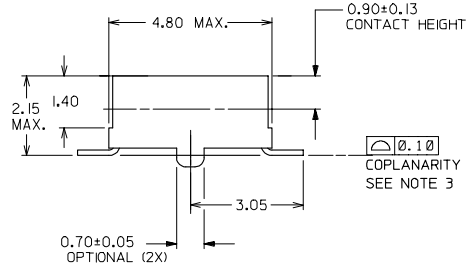
For any questions, you can email us directly:
sales@integrated-circuit.com

Contact us: sales@integrated-circuit.com Website: www.integrated-circuit.com



- NOTES:
- 12 CIRCUIT SIZE SHOWN FOR ILLUSTRATION ONLY. SEE CHART FOR AVAILABLE PART SIZES.
 - PLATING FINISH:
 - 0.76µm/30µin MIN. GOLD IN CONTACT AREA
1.90µm/75µin MIN. TIN/LEAD IN SOLDER TAIL AREA
BOTH OVER 1.30µm/50µin MIN. NICKEL OVERALL
 - 0.38µm/15µin MIN. GOLD IN CONTACT AREA
1.90µm/75µin MIN. TIN/LEAD IN SOLDER TAIL AREA
BOTH OVER 1.30µm/50µin MIN. NICKEL OVERALL
 - 0.76µm/30µin MIN. GOLD IN CONTACT AREA
1.90µm/75µin MIN. TIN IN SOLDER TAIL AREA
BOTH OVER 1.30µm/50µin MIN. NICKEL OVERALL
 - 0.38µm/15µin MIN. GOLD IN CONTACT AREA
1.90µm/75µin MIN. TIN IN SOLDER TAIL AREA
BOTH OVER 1.30µm/50µin MIN. NICKEL OVERALL
 - COPLANARITY OF SOLDER TAIL IS TO BE MEASURED BY RESTING THE PART ON A FLAT GAUGE SURFACE.
 - PRODUCT SPECIFICATION PS-87340 APPLIES.
 - THIS AREA OF PART TO BE HEAT STAKED TO RETAIN CONTACTS.
 - PART IS MATEABLE TO ALL MILLI-GRID HEADERS WITH MINIMUM PIN LENGTHS OF 1.90mm FOR TOP ENTRY.

PART NO. IN TUBE	CKT. SIZE	DIM. B	DIM. A
87340-04**	4	2.00	4.00
87340-06**	6	4.00	6.00
87340-08**	8	6.00	8.00
87340-10**	10	8.00	10.00
87340-12**	12	10.00	12.00
87340-14**	14	12.00	14.00
87340-16**	16	14.00	16.00
87340-18**	18	16.00	18.00
87340-20**	20	18.00	20.00

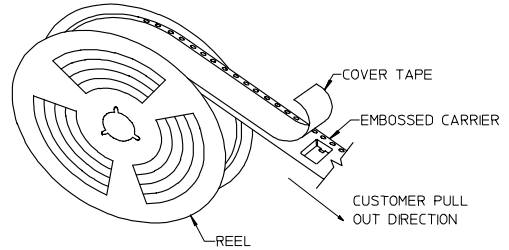
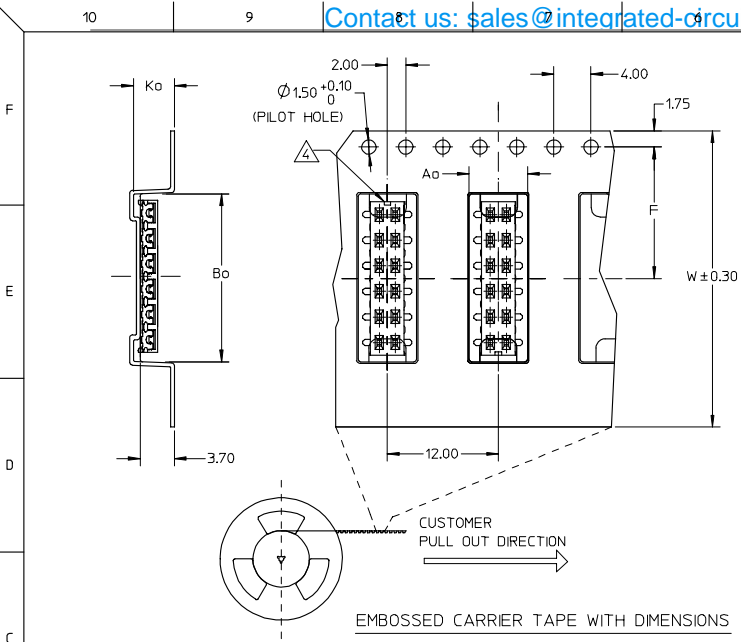


PART NO. LEGEND
87340 - * * * *
CIRCUIT SIZE PLATING
1 - WITHOUT LOCATING PEGS (HOUSING - BLACK)
2 - WITH LOCATING PEGS (HOUSING - BLACK)
3 - WITHOUT LOCATING PEGS (HOUSING - NATURAL)
4 - WITH LOCATING PEGS (HOUSING - NATURAL)

QUALITY SYMBOLS	GENERAL TOLERANCES (UNLESS SPECIFIED)		DIMENSION STYLE	SCALE	DESIGN UNITS	THIRD ANGLE PROJECTION
	mm	INCH	MM ONLY	NTS	METRIC	
▽=0	4 PLACES ± .01	± .0004	DRAWN BY	DATE	TITLE	SALES DRAWING MGRID, VLPR II, DUAL ROW 2MM, T/ENTRY RECEPT, SMT
▽=0	3 PLACES ± .02	± .0008	JKACHL I	1991/07/02		
	2 PLACES ± 0.20	± .005	CHECKED BY	DATE		MOLEX INCORPORATED
	1 PLACE ± .005	± .0001	JNG	1991/07/09		
	ANGULAR ± 3 °		APPROVED BY	DATE		
	DRAFT WHERE APPLICABLE MUST REMAIN WITHIN DIMENSIONS		YTYAP	1991/07/09		
			MATERIAL NO.	DOCUMENT NO.		
			SEE TABLE	SD-87340-**01		
			SIZE A3	THIS DRAWING CONTAINS INFORMATION THAT IS PROPRIETARY TO MOLEX INCORPORATED AND SHOULD NOT BE USED WITHOUT WRITTEN PERMISSION		SHEET NO. 1 OF 2

Contact us: sales@integrated-circuit.com Website: www.integrated-circuit.com

PART NO. IN TUBE	PART NO. TAPE/REEL	CKT SIZE	PLATING OPTION	Ao	Bo	F	W	Ko
87340-1014	87340-1019	10	TIN	6.70	10.40	11.50	24.00	5.30
87340-1613	87340-1618	16	TIN	6.60	16.30	11.50	24.00	4.40



TAPE AND REEL ASSEMBLY SHOWN IS FOR ILLUSTRATION ONLY.

NOTES:

- LEADER AND TRAILER TAPE
160 MIN. TOP TAPE TRAILER
160 MIN. TAIL PART (EMPTY)
390 MIN. TOP TAPE
230 MIN. LEADER PART (EMPTY)
PULL OUT DIRECTION
- PEELING OFF FORCE OF THE TOP TAPE: 20-80gf.
(PEELING DIRECTION AS SHOWN IN FOLLOWING FIGURE)
15° MAX.
PEEL OFF DIRECTION
PULL OUT DIRECTION
- PACKAGING STANDARD IS AS PER EIA-481.
- NO FIX ORIENTATION OF ASSEMBLY PART IN T&R.
- TAPE & REEL QUANTITY : 1000 PCS / REEL

QUALITY SYMBOLS	GENERAL TOLERANCES (UNLESS SPECIFIED)		DIMENSION STYLE	SCALE	DESIGN UNITS	THIRD ANGLE PROJECTION
	mm	INCH	MM ONLY	NTS	METRIC	
▽=0	4 PLACES ±---	±---	DRAWN BY	DATE	TITLE	SALES DRAWING MGRID, VLPR II, DUAL ROW 2MM, T/ENTRY RECEPT, SMT
▽=0	3 PLACES ±---	±---	JKACHL I	1991/07/02		
	2 PLACES ±0.20	±---	CHECKED BY	DATE		MOLEX INCORPORATED
	1 PLACE ±---	±---	JNG	1991/07/09		
	ANGULAR ± 3 °		APPROVED BY	DATE		
	DRAFT WHERE APPLICABLE MUST REMAIN WITHIN DIMENSIONS		YTYAP	1991/07/09		
			MATERIAL NO.	DOCUMENT NO.		SHEET NO.
			SEE TABLE	SD-87340-**01		2 OF 2
			THIS DRAWING CONTAINS INFORMATION THAT IS PROPRIETARY TO MOLEX INCORPORATED AND SHOULD NOT BE USED WITHOUT WRITTEN PERMISSION			