



Distributor of On-Shore Technology, Inc.: Excellent Integrated System Limited
Datasheet of USB-A1VSW6 - Connector Receptacle USB TypeA 4 Position Through Hole,
Vertical

Contact us: sales@integrated-circuit.com Website: www.integrated-circuit.com

Excellent Integrated System Limited

Stocking Distributor

Click to view price, real time Inventory, Delivery & Lifecycle Information:

[On-Shore Technology, Inc.](#)
[USB-A1VSW6](#)

For any questions, you can email us directly:

sales@integrated-circuit.com

Contact us: sales@integrated-circuit.com Website: www.integrated-circuit.com

SIGN	DATE	DESCRIPTION	APPROVER
<i>THIS IS CAD DRAWING, DO NOT REVISE MANUALLY!!!</i>			

Material

- Insulator: PBT
- Flammability: UL94V-0
- Contacts: Copper Alloy
- Contact Plating: See options
- Shell: Copper Alloy

Ratings

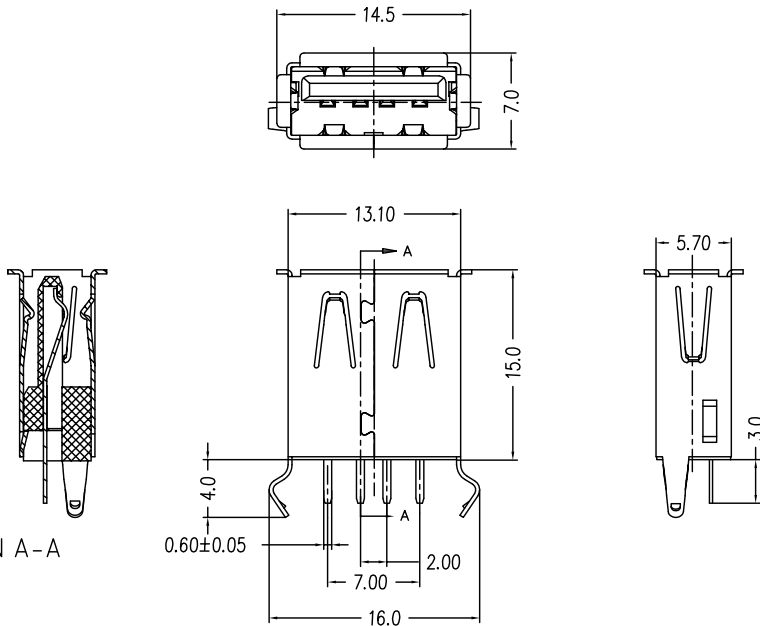
- Current: 1.5A
- Voltage: 30V AC(r.m.s.)
- Dielectric Withstanding Voltage: 500V AC at sea level
- Contact Resistance: <math>< 30m\Omega</math>
- Insulation Resistance: >1,000 M Ω
- Operating Temperature: -55° - +85°
- Mating Force: 3.5Kg Max
- Umating Force: 1Kg. Min

RoHS Compliant

PART NUMBER:

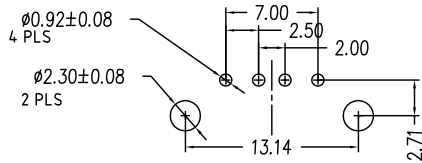
USB-A1VSWXX

- | | |
|----------|--------------------------------|
| COLOR: | PLATING: |
| B: Black | 6: Selective Gold Flash (Std.) |
| W: White | 8: Selective 30u" Gold |
| | 9: Selective 50u" Gold |



SECTION A-A

RECOMMEND PCB LAYOUT



THESE DRAWINGS AND SPECIFICATIONS ARE THE PROPERTY OF ON-SHORE TECHNOLOGY, INC. AND SHALL NOT BE REPRODUCED, COPIED OR USED IN ANY MANNER WITHOUT THE PRIOR WRITTEN CONSENT OF ON-SHORE TECHNOLOGY, INC.

OST ON-SHORE TECHNOLOGY, INC.					
TITLE	USB - A type, Vertical, thru hole, single port				
PART NO.	USB-A1VSWXX	DWG NO.	USB-A1VSWXX.DWG		
APPROVED	CHECKED	DESIGNED	DRAWN	1200	Tolerance
	Marvin 2008.05.30	Marvin 2008.05.30	Marvin 2008.05.30		UNIT: mm X* ±1* SCALE: NONE XX ±0.30 XXX ±0.25 XXXX ±0.15
				SHEET: 01/01	REV.: A