



Distributor of On-Shore Technology, Inc.: Excellent Integrated System Limited
Datasheet of USB-A1HSW6 - Connector Receptacle USB TypeA 4 Position Through Hole,
Right Angle, Horizontal

Contact us: sales@integrated-circuit.com Website: www.integrated-circuit.com

Excellent Integrated System Limited

Stocking Distributor

Click to view price, real time Inventory, Delivery & Lifecycle Information:

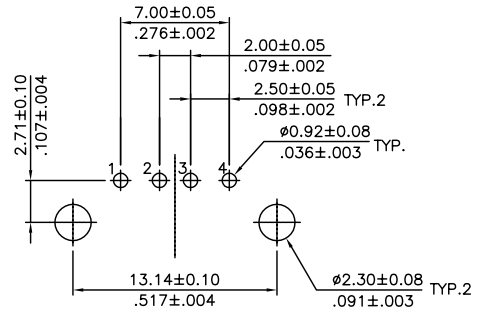
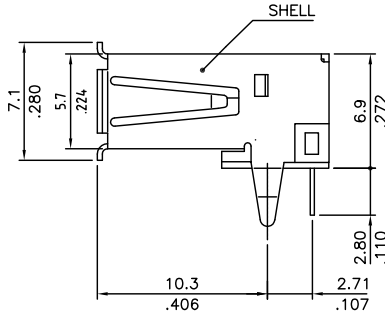
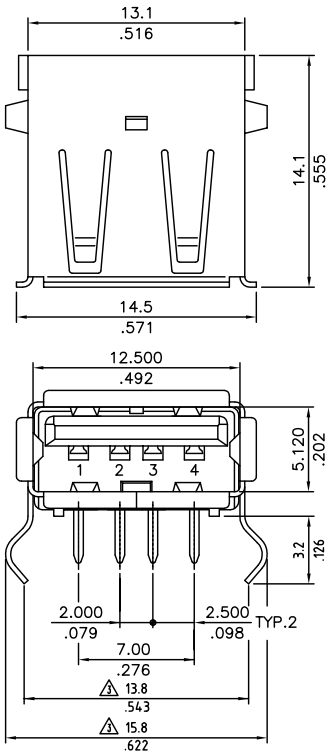
[On-Shore Technology, Inc.](#)
[USB-A1HSW6](#)

For any questions, you can email us directly:
sales@integrated-circuit.com

Contact us: sales@integrated-circuit.com Website: www.integrated-circuit.com

SIGN	DATE	DESCRIPTION	APPROVER
△	2012.10.03	USB 2.0 detail added	SHIN
<i>THIS IS CAD DRAWING, DO NOT REVISE MANUALLY!!!</i>			

- Material**
- Insulator: Glass Filled Polyester
 - Flammability: UL94V-0
 - Contacts: Phosphor Bronze
 - Contact Plating: See options
 - Shell: Brass
 - Shell Plating: 80 Ni over 40u" Cu
- Ratings**
- Current: 1A
 - Voltage: 30V AC(r.m.s.)
 - Contact Res: $-30m\Omega$
 - Insulation Res: $-1,000 M\Omega$
 - Operating Temp: $0^{\circ} - +85^{\circ}$
 - Storage Temp: $-40^{\circ} - +60^{\circ}$
- RoHS Compliant



Recommended P.C. Board Layout

PART NUMBER:

USB-A1HSXX

COLOR:
B: Black
W: White

PLATING:
6: Selective Au Flash/50u" Ni
8: Selective 30u" Au/50u" Ni (USB 2.0)

THESE DRAWINGS AND SPECIFICATIONS ARE THE PROPERTY OF ON-SHORE TECHNOLOGY, INC. AND SHALL NOT BE REPRODUCED, COPIED OR USED IN ANY MANNER WITHOUT THE PRIOR WRITTEN CONSENT OF ON-SHORE TECHNOLOGY, INC.

TITLE		USB - A type, Horizontal, thru hole	
PART NO.	USB-A1HSXX	DWG NO.	USB-A1HSXX.DWG
APPROVED	CHECKED	DESIGNED	DRAWN
	Marvin 2002.03.12	Marvin 2002.03.12	Marvin 2002.03.12
		4050	
		Tolerance	
		UNIT: mm/inches	
		SCALE: NONE	
		X+ ±1"	
		XX ±0.30/012	
		XXX ±0.20/008	
		XXXX ±0.10/004	
SHEET: 01/01		REV.: A	