



**Distributor of On-Shore Technology, Inc.: Excellent Integrated System Limited**  
Datasheet of USB-M26FTR - Connector Receptacle USB mini B 5 Position Surface Mount,  
Right Angle, Horizontal

Contact us: [sales@integrated-circuit.com](mailto:sales@integrated-circuit.com) Website: [www.integrated-circuit.com](http://www.integrated-circuit.com)

---

## Excellent Integrated System Limited

Stocking Distributor

Click to view price, real time Inventory, Delivery & Lifecycle Information:

[On-Shore Technology, Inc.](#)  
[USB-M26FTR](#)

For any questions, you can email us directly:

[sales@integrated-circuit.com](mailto:sales@integrated-circuit.com)

Contact us: sales@integrated-circuit.com Website: www.integrated-circuit.com

PART NUMBER: **USB-M2XFXX**

**Packaging:**  
TR - tape/reel w/pick up pad  
TU - tube  
T0 - tape/reel w/out pad

**Plating:**  
6 - selective flash gold  
8 - selective 30u" gold  
may require M00

SIGN	DATE	DESCRIPTION	APPROVER
<i>THIS IS CAD DRAWING, DO NOT REVISE MANUALLY!!!</i>			

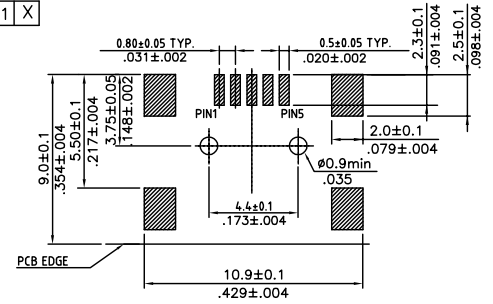
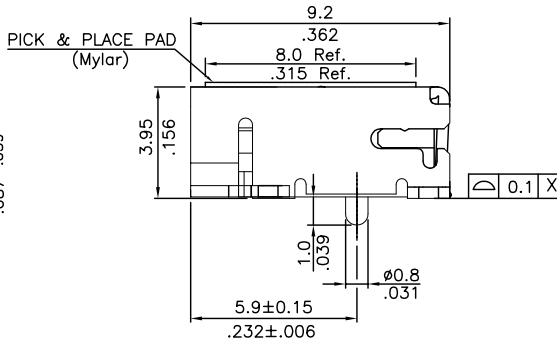
**Material**

- Insulator: Glass Filled Polyamide
- Flammability: UL94V-0
- Contacts: Copper Alloy
- Shell: Copper Alloy
- Shell Plating: 120u" Tin over 30u" Nickel

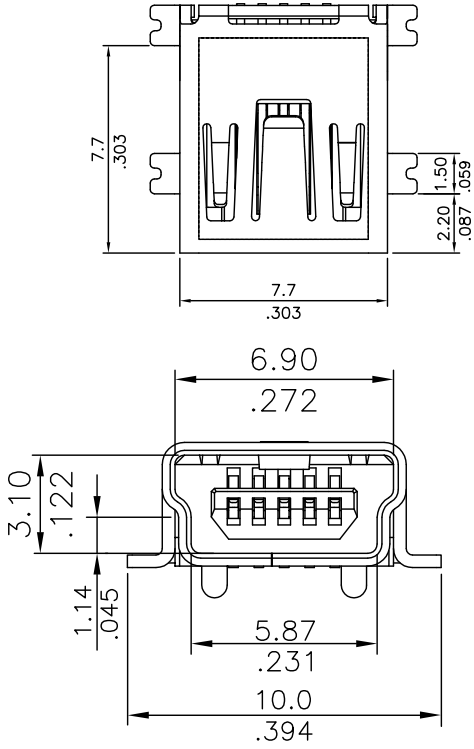
**Ratings**

- Current: 1A
- Voltage: 30V AC(r.m.s.)
- Contact Resistance: <math>\lt; 30\text{m}\Omega</math>
- Insulation Resistance: >1000 MU
- Dielectric Strength: 750V AC
- Operating Temp: 0°C - +40°C
- Storage Temp: -40°C - +60°C

RoHS Compliant



Recommended P.C. Board Layout



THESE DRAWINGS AND SPECIFICATIONS ARE THE PROPERTY OF ON-SHORE TECHNOLOGY, INC. AND SHALL NOT BE REPRODUCED, COPIED OR USED IN ANY MANNER WITHOUT THE PRIOR WRITTEN CONSENT OF ON-SHORE TECHNOLOGY, INC.



TITLE							Mini USB - SMT Board Mount- B Type		
PART NO.		USB-M2XFXX		DWG NO.		USB-M2XFXX.DWG			
APPROVED		CHECKED	DESIGNED	DRAWN		4050		Tolerance	
Stephen	2006.09.30	Marvin	2006.09.30	Sun	2006.09.30	Lee	2006.09.30	X* ±1"	
SHEET: 1/1						UNIT: mm/inches	X.X ±0.20/008		
						SCALE: NONE	X.XXX ±0.10/004		
						REV.: B	X.XXX ±0.05/002		