

## **Excellent Integrated System Limited**

Stocking Distributor

Click to view price, real time Inventory, Delivery & Lifecycle Information:

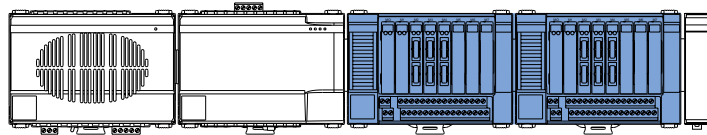
[Grayhill, Inc.](#)  
[70L-JUMP6](#)

For any questions, you can email us directly:

[sales@integrated-circuit.com](mailto:sales@integrated-circuit.com)

**BASES**  
**16 Channel**

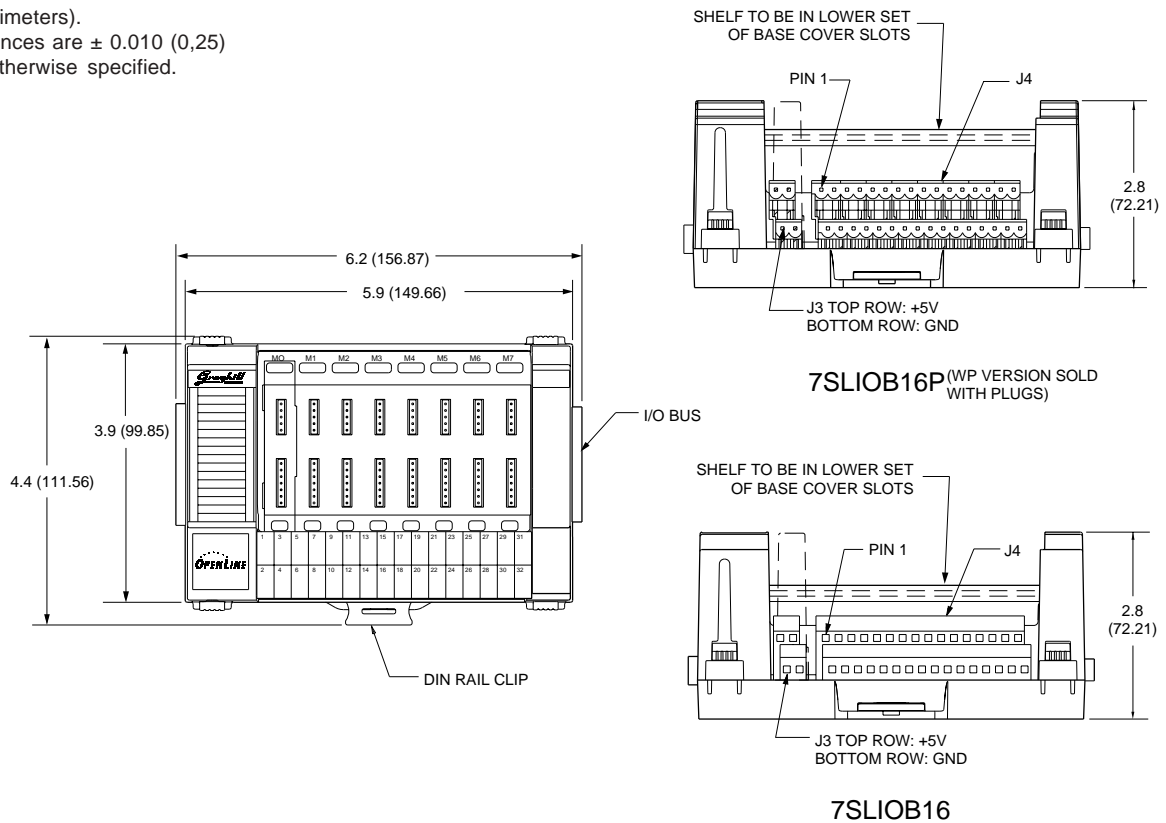
- Automatically Detects OpenLine® I/O Modules Types
- Fast Memory Bus Interface to OpenLine® Controllers
- Performs 500 microsecond Scans of all Digital I/O Modules
- Multiple Termination Options
- Stack up to Eight Bases for 128 I/O Modules
- Small Footprint
- DIN Rail Mountable
- UL, CSA, CE Certified  
(See Engineering Info on p. L-3)



TWO 16 CHANNEL BASE UNITS ON OPENLINE® SYSTEM

**16 CHANNEL BASE: OpenLine® Smart Base with Memory Mapped I/O**

**Part No. 7SLIOB16**  
 Dimensions are shown in inches (and millimeters).  
 All tolerances are ± 0.010 (0,25) unless otherwise specified.

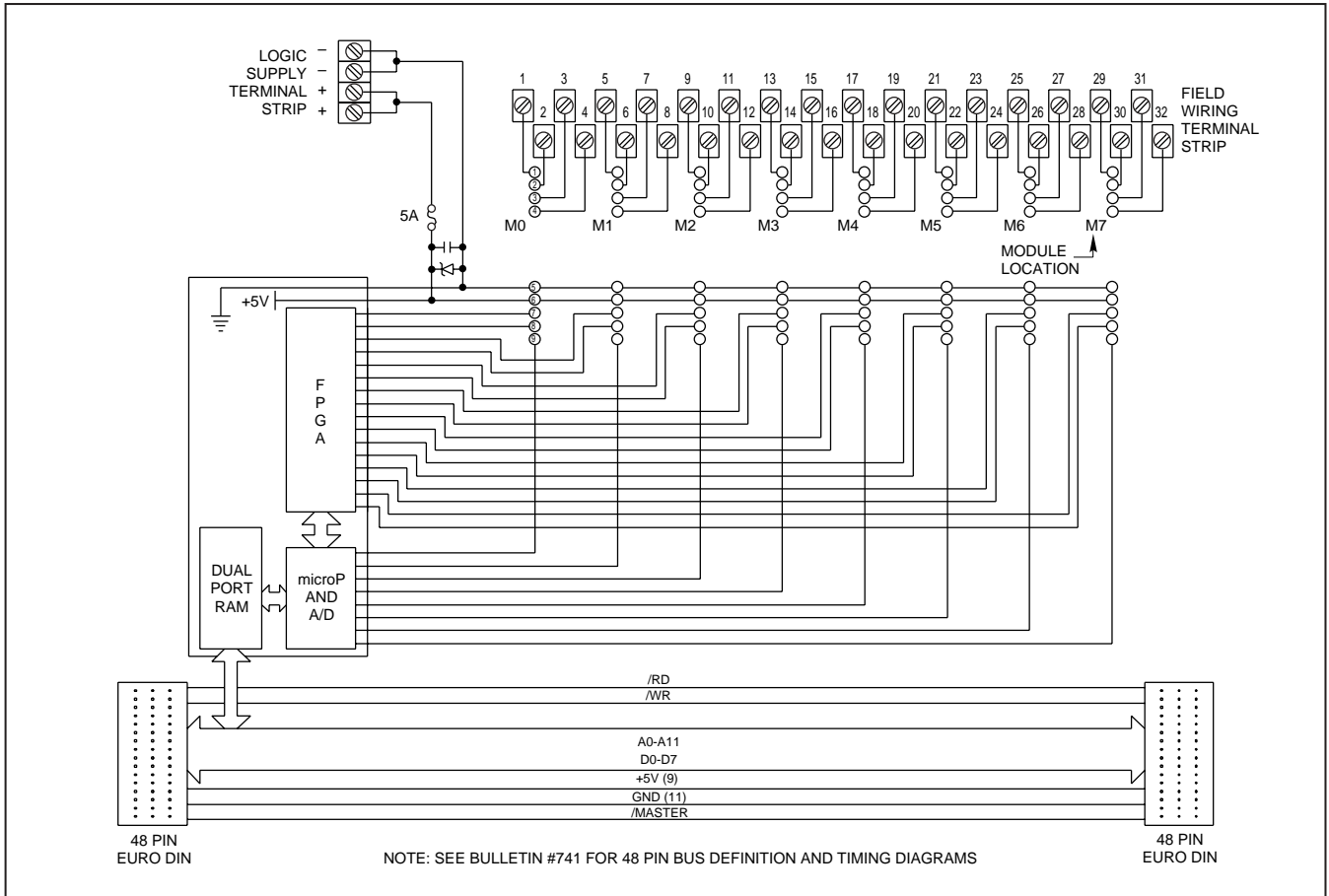


OpenLine® Control System



OpenLine® Control System

**SCHEMATIC: Part No. 7SLIOB16 Smart Base with Memory Mapped I/O**



**ORDERING INFORMATION** (modules ordered separately)

Part Number	I/O	Description	UL	CSA	Style
<b>7SLIOB16</b>	16	Smart bases with dual port RAM interface. 48-pin Euro DIN logic signal connector. DIN rail mount.	X	X	OpenLine®
<b>7SLIOB16P</b>	16	Pluggable terminator (w/o plug)	X	X	OpenLine®
<b>7SLIOB16WP</b>	16	Pluggable terminator (w/plug)	X	X	OpenLine®
<b>70L-JUMP6</b>	16	Six position jumper bar			OpenLine®

**For General Control System Information**  
see pages L-39 to L-42.

**ACCESSORIES**  
See page L-54

**Available from your local Grayhill Distributor.**  
For prices and discounts, contact a local Sales Office, an authorized local Distributor or Grayhill.

**DIMENSIONS: Jumper Bars**

