

Excellent Integrated System Limited

Stocking Distributor

Click to view price, real time Inventory, Delivery & Lifecycle Information:

[Grayhill, Inc.](#)
[73L-ITR100](#)

For any questions, you can email us directly:

sales@integrated-circuit.com



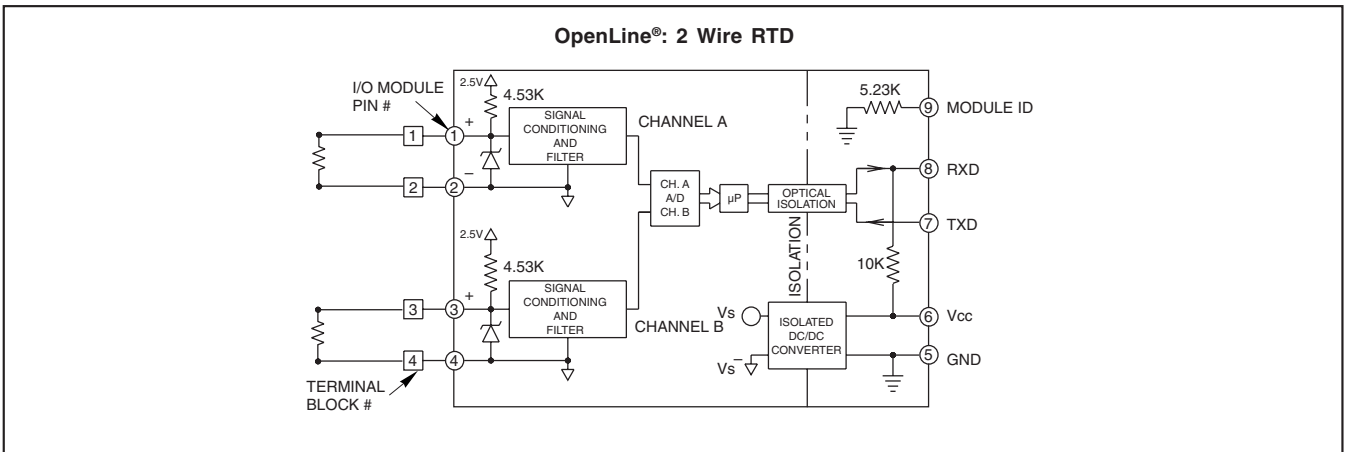
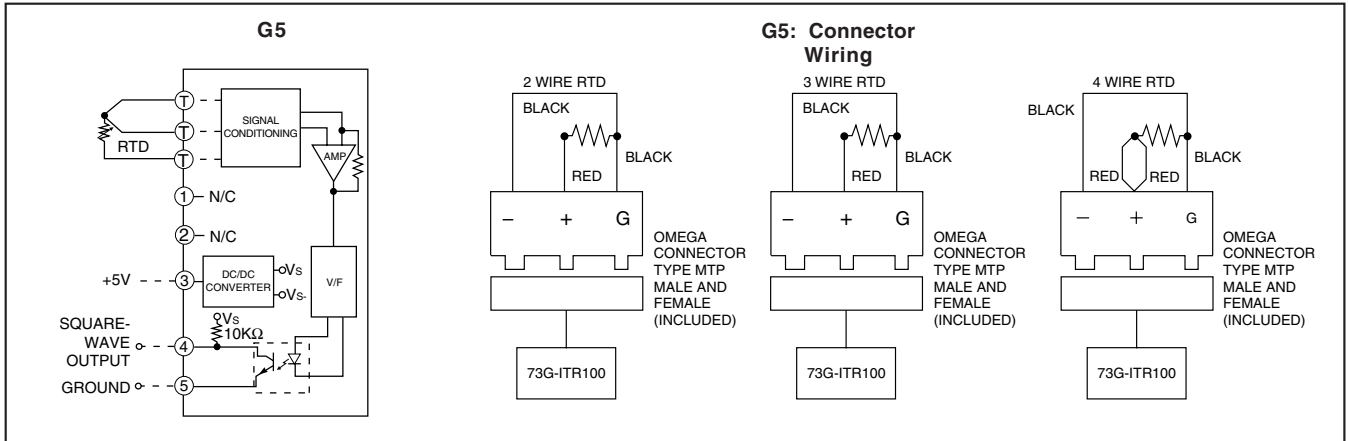
RTD Input Modules

FEATURES

- Standard Package and Pin-out
- Single 5V Power Supply
- 12-Bit Resolution
- Optical Isolation from Input to Output
- Intermix With Digital Modules on the Same Rack
- Meets the Requirements of IEEE 472
- UL, CSA, CE Certified (OpenLine only)
- OpenLine® has 2-wire, 3-wire and 4-wire versions

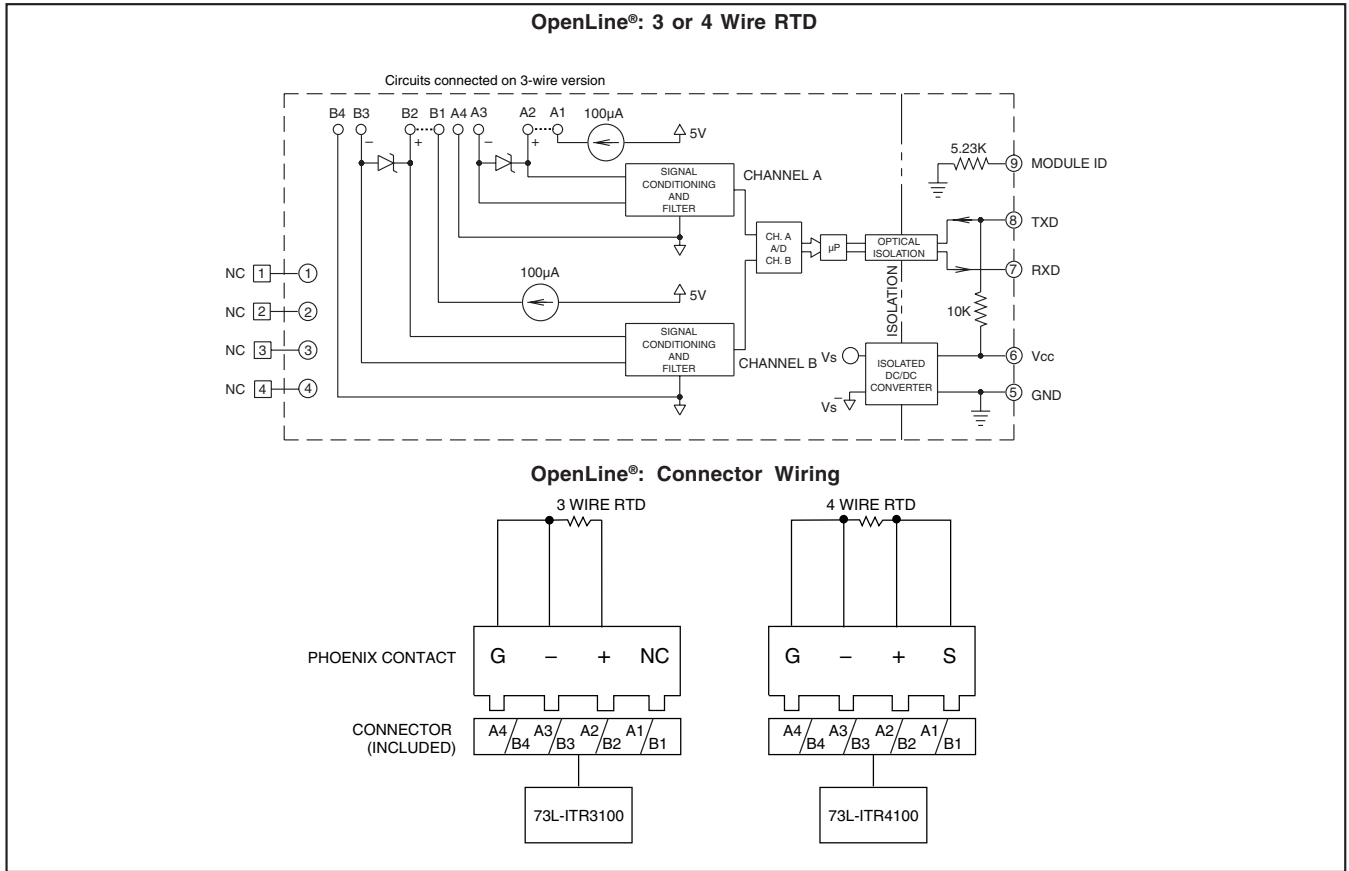


CIRCUITRY



I/O Modules

CIRCUITRY



SPECIFICATIONS: By Part Number

Type/Function		Grayhill Part Number		
G5, OpenLine®		73G-ITR100	73L-ITR100	73L-ITR3100/73L-ITR4100
Specifications	Units			
Number of Inputs		1 Ch.	2 Ch.	2 Ch.
Resolution	bits	12	12	12
Absolute Accuracy @ 25°C ^{1,2}	°C/count	0.10	0.098	0.098
Full Range Deflection		+/- 0.8	+/- 0.3	+/- 0.3
Temperature Coefficient		DIN 43760 standard	DIN 43760 standard	DIN 43760 standard
Serial Data Format		0.00385 (European)	0.00385 (European)	0.00385 (European)
Serial Data Packet		12-bit packet	Right Justified, 16-bit	Right Justified, 16-bit
Step Response Time ³	mS	—	115.2Kb, N, 8, 2	115.2Kb, N, 8, 2
Input Temperature Range	°C (°F)	2.5	42	42
RTD Type		-50-350 (-58-662)	-50-350 (-58-662)	-50-350 (-58-662)
Maximum Overload	V	100 ohm platinum	100 ohm platinum	100 ohm platinum
Logic Voltage Range	Vdc	—	+/- 6	+/- 6
Max. Logic Supply Current@5Vdc	mA/Ch.	4.5-5.5	4.75-5.25	4.75-5.25
Module ID (Pin 9)	KΩ	150	38	38
Isolation Voltage		N/A	5.23	5.23
Field to Logic	Vrms	2500	2500	2500
Field to Power	Vrms	2500	2500	2500
Module to Module	Vrms	2500	2500	2500
Channel A to Channel B		—	None	None
Environmental Conditions				
Operating Temperature	°C	0 to +60°C	-40 to +85°C	-40 to +85°C
Storage Temperature	°C	-40 to +85°C	-55 to -100°C	-55 to +100°C

¹ Includes offset, gain, non-linearity and repeatability error terms.

² Accuracy and drift graphs are available in Bulletin #753.

³ Time required for output to change to within 1% of final reading.

Available from your local Grayhill Distributor.
 For prices and discounts, contact a local Distributor, a local Sales Office or Grayhill.