

Excellent Integrated System Limited

Stocking Distributor

Click to view price, real time Inventory, Delivery & Lifecycle Information:

[Mueller Electric Co.](#)
[BU-00249-0](#)

For any questions, you can email us directly:

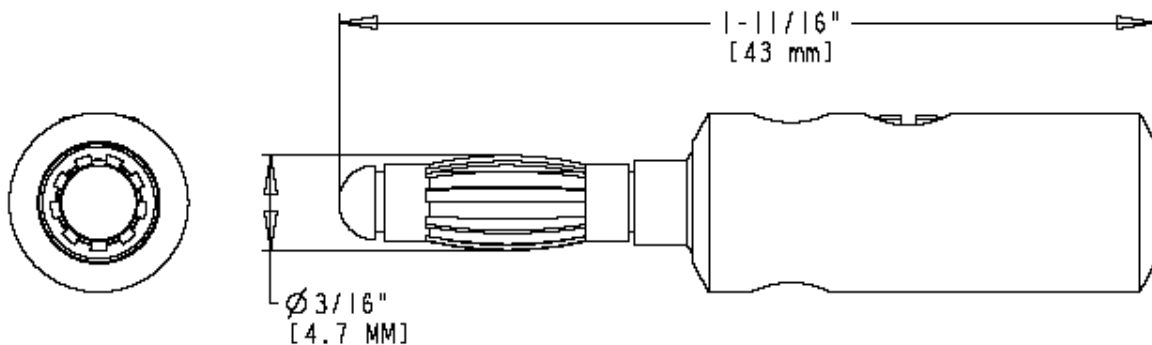
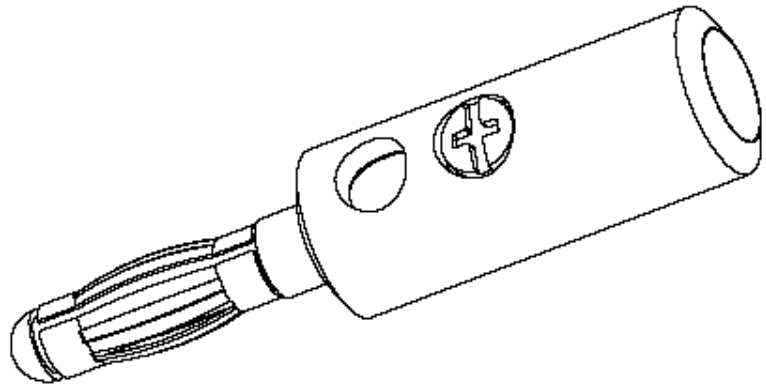
sales@integrated-circuit.com



Part Number: BU-00249-*

Description: Stackable Banana Plug

2907



- Stackable Banana Plug
- Material: Banana Plug: nickel-plated brass body; Spring: nickel-plated phosphor bronze; Insulator: ABS
- Length: 1.68"(43mm)
- *Std. Colors: -0 Black -2 Red
- Rating: 15 Amps